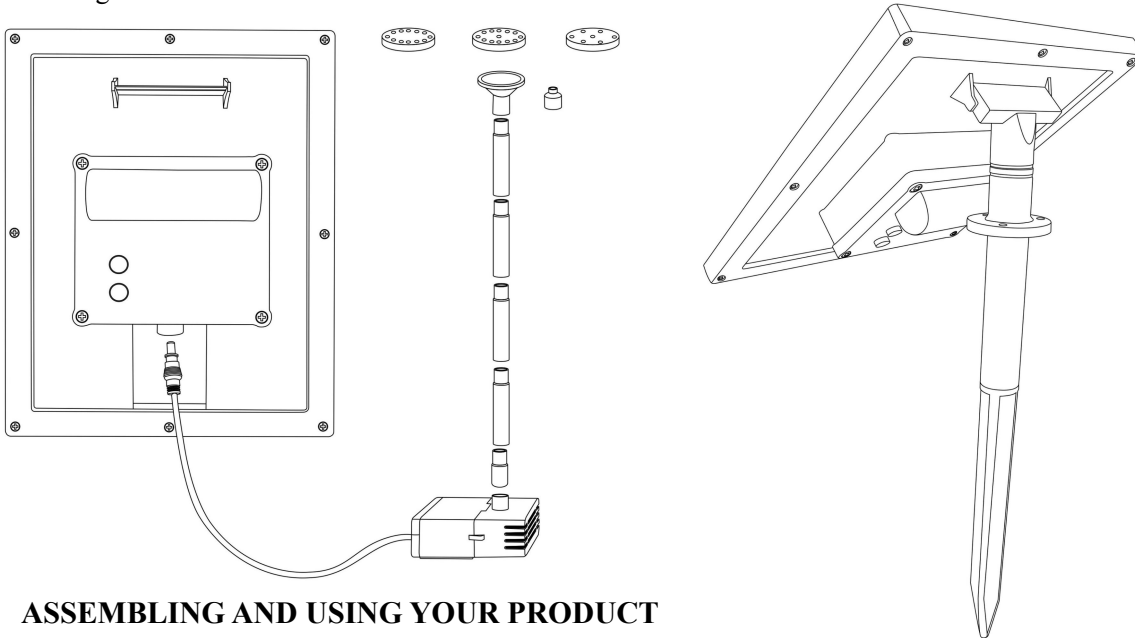


# SolarPulse Pump 250 Instruction Manual

This instruction contains important information for using the product for the first time. Please keep this instruction for later reference. They should always accompany the product in the event of transfer a new user.

## 1 OVERVIEW

- 1.1 The solar pump is designed for spitter fountain, pond or outdoor use. In order for the solar pump to operate, the solar panel needs to be in direct sunlight.
- 1.2 This solar pump is equipped with battery pack and can be switched on and off by a button switch on the control housing.



## 2 ASSEMBLING AND USING YOUR PRODUCT

- 2.1 Unpack all components carefully.
- 2.2 Place the pump underwater and make sure that, it is fully immersed in water. In case the pump tube is too far from the surface of water, you can raise the pump by using stones or brick underlay.
- 2.3 Connect fountain heads as required, or connect the outlet with hose comes from the spitter;
- 2.4 Connect the pump cable to the socket of the control housing on the rear side of the solar panel;
- 2.5 The solar pump is now ready to use.

## 3 CAUTION

- 3.1 Do not strike the solar panel
- 3.2 Do not let the pump run dry for long time
- 3.3 Do not lift the pump by the power cord
- 3.4 Operate in freshwater only

## 4 OPERATING INSTRUCTIONS

### Turn on the pump in “Continuous” spray mode:

Press to A button for 3 seconds to turn on the pump, the pump will run until battery flat. The pump will operate again when battery recharged in next sunny day. In this mode, the water will be spraying continuously.

### Change to “Random” spray mode:

Press B button to change into random spray mode, the pump will run in random mode until battery flat. In this mode, the water will spray out unpredictably.

**Quick charge full energy to the battery:** press and hold on 3 seconds to Turn OFF the pump in sunlight hours and charge the full solar energy to battery.

### Battery status:

Green: battery is full charged. Pump will run around 6-8 hours.

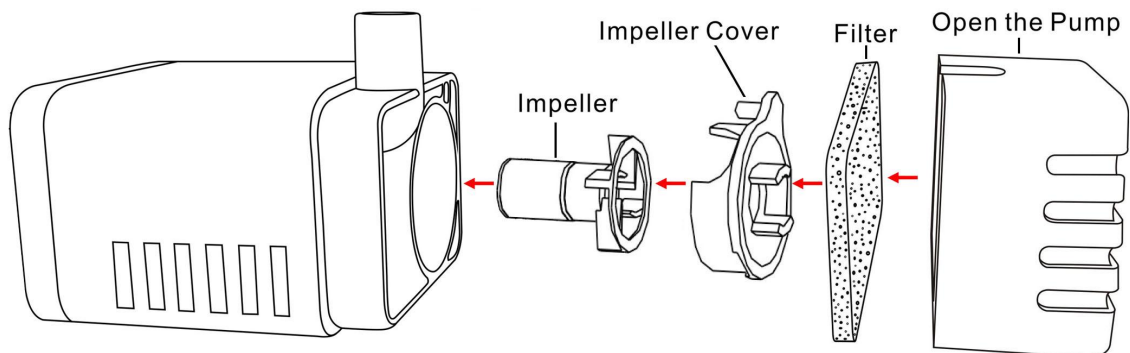
Orange: battery is half charged. Pump will run around 2-6 hours.

Red: battery needs charges. Pump will run less than 1 hour.

**Note**: The indicator light is blinking when pump in random mode, the indicator light is solid when pump in continuous mode.

## 5 CLEANING AND MAINTENANCE

**Pump**: If the pump starts to lose power or stops working check for the build-up of sediment, scale or dirt in the filter. Remove the pump cover and the impeller cover. Clean them and the filter by fresh water.



**Solar panel**: The panel should be cleaned periodically with a soft tissue. Regular cleaning of the panel is advised to maintain optimum conversion of the sun's energy into direct current.

## 6 FUNCTIONALITY PROBLEMS

6.1 Pump does not operate even when the solar module is in full sunlight.

- No connection to the solar module – check connection to the solar module.
- Impeller is blocked – To clean the pump, remove the front plate and the impeller. Use a small brush or steam of water to remove any debris.

6.2 Pump does operate but there is no water running through the fountainhead check for the build-up of sediment or scale in the tubes or the filter- clean the tubes and the filter.

## 7 STORAGE

7.1 Please charge the battery for at least a day in direct sunlight when the first time using the solar pump or when you store the solar pump for a winter.

7.2 In order to keep the battery long life, please charge the solar pump to fully charge status and plug-out the pump from the solar panel before you store the solar pump into warehouse.

## 8 TECHNICAL DATA

Solar Panel:	2 W
Operation Voltage:	6V DC
Water Flow Max.	250LPH
Water lift Max.:	1.5M
Cable Length	5M
Lithium Battery	3.7V-2000mAH

Your appliance contains valuable materials which can be recovered or recycled. Leave it at a local civic waste collection point.



PondXpert A3 Bentley Avenue Billingham TS23 4BU UK

01642 370898

www.pondxpert.co.uk