

PondXpert SolarShower Float 180

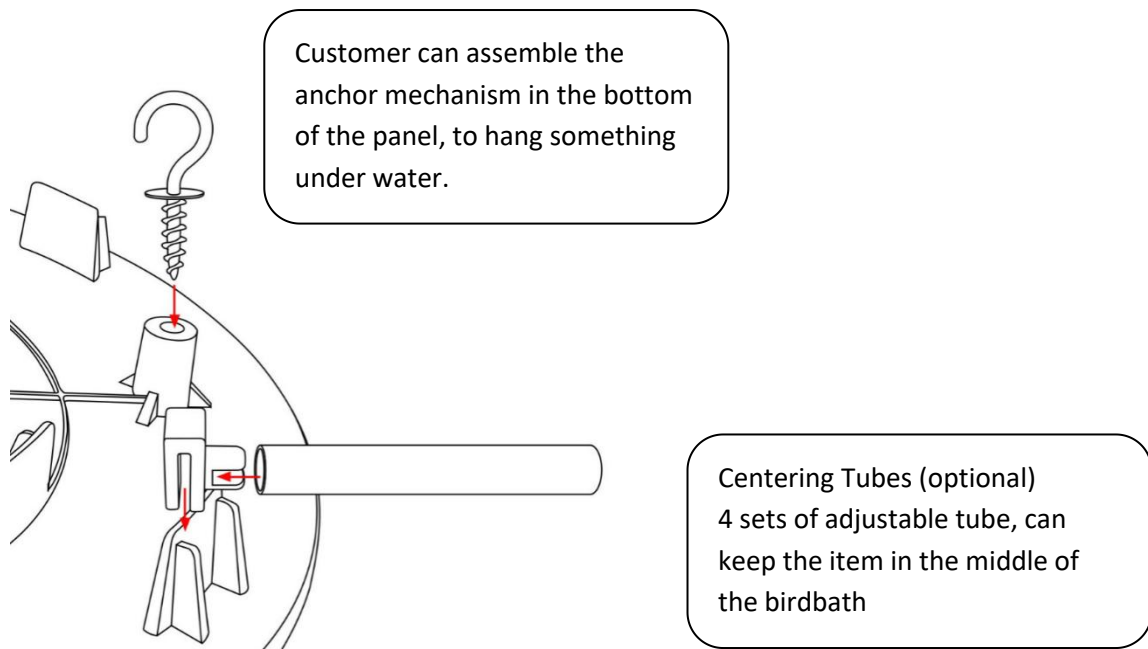
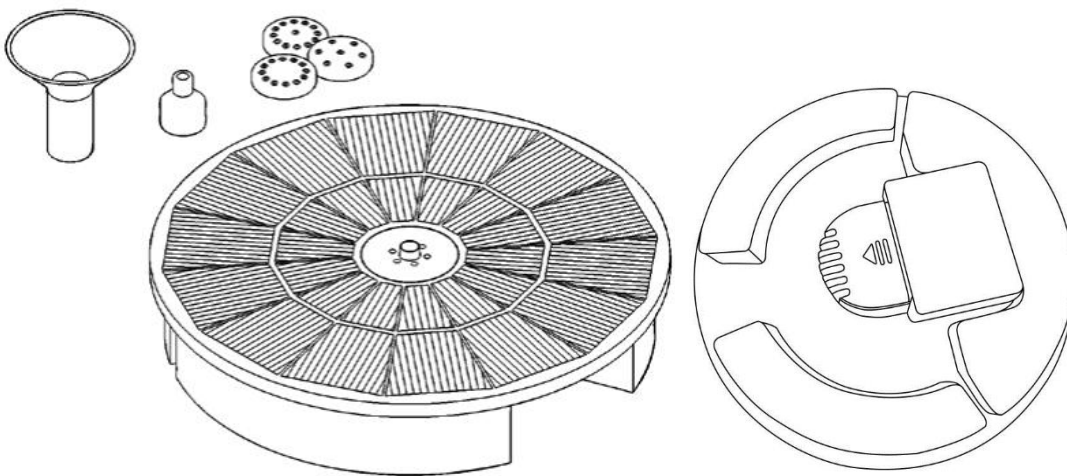
This instruction manual contains important information for using this product correctly. Please read this manual before operating the solar floating pump. Always save this manual for future reference!

Overview

This solar floating fountain has been designed for pond use. It obtains its power from an integrated solar module. In order for the solar fountain to operate it needs to be placed in **direct sunlight**.

Simply place this unit on the water surface and the solar floating will begin water shooting for several hours **until battery runs out**.

In evening, six built-in LEDs will illuminate automatically to enhance your fountain.







Operating Advice - The Ultimate Bird Bath Fountain

Typically water escapes from the bird bath reservoir when pump is in use (high fountain, windy conditions etc). This water loss can be reduced by positioning the fountain in the centre of the bowl.

To prevent the fountain drifting out of position anchor the pump or use the Centering Tubes provided.

Reducing flow rate will also reduce water loss – Possible solutions: try different heads in fact lowest fountain is possible without any fountain heads attached.

Weather	1. Put it on the water -Pump on 2. Charge extra solar energy to battery	1. Get out of the water -Pump off 2. Charge full solar energy to battery
	Solar runs the pump and charges the battery. Pump performance is maintained when the clouds pass.	Battery should be fully charged in 1 day.
	Solar runs the pump and supplies extra energy to the battery. Performance is maintained when the clouds pass. Pump will only run a shorter period of time into the evening.	Battery will take 1 to 2 days to fully charge.
	Pump will only run when there is sufficient power from the battery. Little or no battery charging occurs so pump performance is not maintained.	Battery will take several days to fully charge.
	No solar power is available, pump will not run the battery till power out.	Battery will not charge.

1. TECHNICAL DATA

Solar Panel:	2.5 W
Operating Voltage	3-7.5V DC
Water Flow Max.	180 LPH
Water Projection Height	Max. 0.5M
LED Light	6 White LED light build-in solar panel;
Rechargeable Battery	Li-polymer battery 3.7V 600mAH
Fountain head	5 pcs

Important: In winter the solar floating must be stored in a dry and frost-proof environment.

Limited Warranty

This product is guaranteed for a period of 12 months from the date of purchase for material or manufacturing defects. The guarantee covers the substitution of defective parts. However, the guarantee is considered null and void in the case of improper use, improper handling or negligence on the part of the buyer. If your PondXpert item fails please take it back to the retail outlet from where it was purchased. You will be required to provide your receipt/proof of purchase. This does not affect your statutory rights.

PondXpert

A3 Bentley Avenue

Billingham

TS23 4BU

UK 01642 370898



Your appliance contains valuable materials which can be recovered or recycled. Leave it at a local civic waste collection point.