

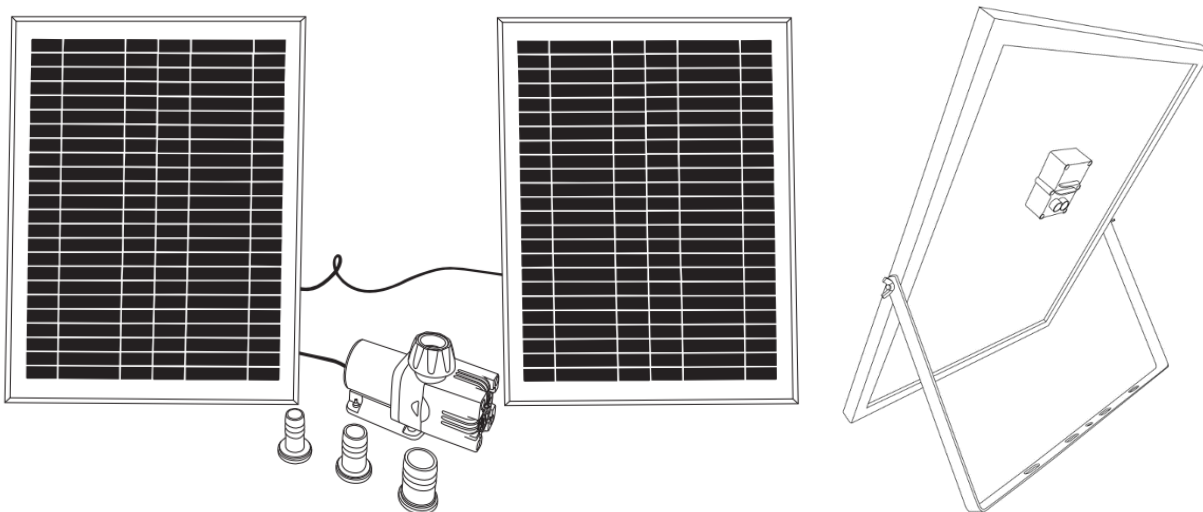
SolarShower 3000 Instruction Manual

1. OVERVIEW

- 1.1. The solar pump is designed for outdoor use, the pump is powered by a solar module. In order to make the pump work, the solar module needs to be placed in the sun with facing the sunlight.
- 1.2. The performance of the pump depends on the sunlit intensity and the position of the solar module.

2. ASSEMBLING

- 2.1. Unpack all components carefully
- 2.2. Unroll the pump cable.
- 2.3. Connect the two pieces of the solar panel by plug-in the connect cable, adjust the panel bracket to the right angle.
- 2.4. Connect the pump to the related solar module.
- 2.5. Place the pump underwater and make sure that, it is fully immersed in water.
- 2.6. Choose a hose outlet that you want to see.
- 2.7. The solar pump is now ready to operate.



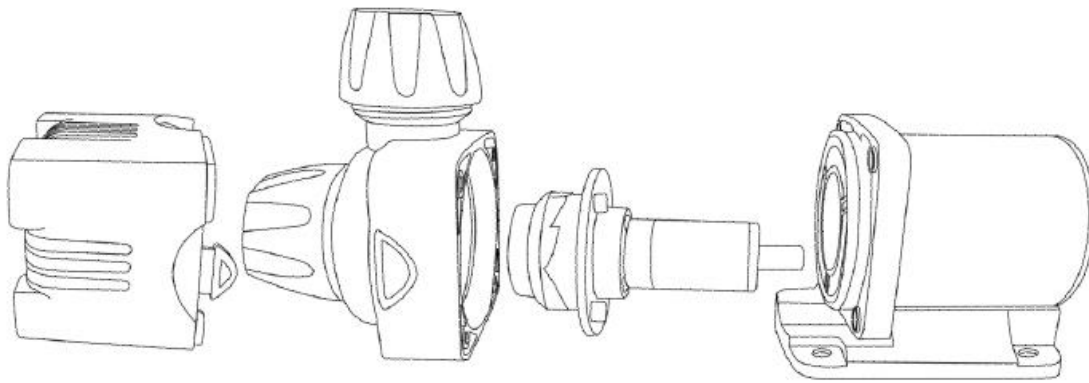
3. CAUTIONS

- 3.1. Any altering of the product itself or changing of the components is forbidden.
- 3.2. Do not connect the pump to any AC voltage power, it's ONLY for DC Voltage power.
- 3.3. Operate in freshwater only (never above 45°C), especially keep away from flammable liquids.
- 3.4. Do not strike the solar panel.
- 3.5. Do not let the pump run dry for long time.

4. CLEANING AND MAINTENANCE

- 4.1. If after some time the pump starts losing power or stops working, please clean up sediment in the pump shell. Please note the pump can be opened by pressing down on the bottom of the filter housing.
- 4.2. To clear the impeller, open the pump housing by unscrew the front plastic cover.

***The solar module should only be cleaned with soft tissue or propriety glass cleaning solution.**



5. FUNCTIONALITY PROBLEMS

5.1. Pump does not operate even though the solar module is in full sunlight.

- 1) No connection to the solar module—check connection to the solar module.
- 2) Impeller is blocked—to clean the pump, remove the front plate and the impeller using a small brush or water to remove any debris.

5.2. Pump does operate but there is no water running through the tubes: Clear the tube and the filter to make sure the tube is through completely.

6. TECHNICAL DATA

Solar Panel:	24V-50W (2pcs*25W)
Operation Voltage:	9V-28V DC
Water Flow Max.	3000LPH
Water lift Max.:	3.2M
Cable Length	5M
Hosetail Outputs	20 / 25/ 32 mm

7. GUARANTEE

This product is guaranteed for a period of 12 months from the date of purchase for material or manufacturing defects. The guarantee covers the substitution of defective parts. If your pondXpert pump fails please take it back to the retail outlet from where it was purchased. You will be required to take your receipt/proof of purchase with you. This does not affect your statutory rights.

PondXpert
 A3 Bentley Avenue
 Billingham
 TS23 4BU UK
 01642 370898
www.pondxpert.co.uk



Your appliance contains valuable materials which can be recovered or recycled. Leave it at a local civic waste collection point.