



PondForce Pond Pump



Solids Handling Filter/Fountain Pond Pump

Model	Power Rating	Max Flow	Max. Head	Dimensions LWH	Outlet Size
PHPF02300	35w	2300 LPH	2.0m	193x99x99mm	20/25mm
PHPF03000	55w	3000 LPH	3.0m	215x150x175mm	20/25/32mm
PHPF04700	60w	4700 LPH	3.5m	215x150x175mm	20/25/32mm
PHPF06200	90w	6200 LPH	4.0m	215x150x175mm	20/25/32mm
PHPF08000	140w	8000 LPH	5.0m	205 x100 x100mm	20/25/32mm

All pumps can handle solids (4mm for 2300-6200, 6mm for 8000 model)
All pumps come complete with 10m electrical cable.
All pumps have a rated voltage of 220-240V, 50Hz. Maximum operating depth 2m.

Introduction

Congratulations on the purchase of your PondHero pond pump. Used correctly your pond pump will provide years of reliable service. This pump is designed to run 24/7 pushing water through to a waterfall and/or filter system.

Your pump must always be immersed in fresh water before it is switched on.

General safety Instructions

Read and observe all of the instructions clearly before installing, connecting and operating the pump.

Make sure the pump is securely and correctly installed before switching on.

Always disconnect the pump when not in use and when carrying out maintenance.

Always disconnect all equipment in the pond before starting to handle, maintain, repair or install any pond equipment.

The appliance is not intended for use by persons (including children) with reduced physical, sensory or mental capabilities, or lack of experience and knowledge, unless they have been given supervision or instruction concerning use of the appliance by a person responsible for their safety.

Children should be supervised to ensure that they do not play with the appliance.

For safety reasons, servicing or repair of this item should only be carried out by PondHero.

Never hang or carry the pump by the power cord.

Do not operate the pump with a damaged cord or plug. The supply cord of the appliance cannot be replaced.

If the electrical cord is damaged the product should be scrapped.

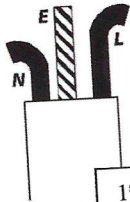
Safety and Electrical Connections

This unit is designed for outdoor use only. It is waterproof and should be situated safely under the pond water. Ideally the pump should be situated at the bottom of the pond as this is where fish waste and debris collect. Take care to ensure that you can easily lift your pump out of the water for routine maintenance. If this is necessary do not pick your pump up by the electrical cable but by the main body/ cage of the pump.

Always disconnect all equipment in the pond before starting to handle, maintain, repair or install any pond equipment.

The pump is electrically operated so great care must be taken during installation and operation. The following electrical and safety guidelines must be carefully followed.


Each pump is supplied with a 10 metre length of 3 core electrical cable which is permanently connected to the pump.



The wires in the mains electrical lead are coloured in accordance with the following code:

BLUE – Neutral (marked with an “N” in most terminal connections)

BROWN – LIVE (marked with an “L” in most terminal connections)

GREEN/YELLOW – EARTH (marked “E” or  in most terminal connections)

1st January 2005 revised Building Regulations for England and Wales
Installing this product in the garden is classified as ‘notifiable’. The Regulations now require you to tell your local authority building control department that you intend to install this product before installation. Your local authority will let you know how you can get your installation approved

The termination to the mains supply should be permanent, inside a dry weatherproof enclosure, through a double pole switched fused spur with a minimum contact gap of 3mm – (disconnected) to BS 3676 – and fitted with a 3 or 5 amp fuse.
Exposed cable runs should be sensibly positioned, and protected if necessary, by armoured conduit.

A 10mA or 30mA Residual Current Circuit Breaker (RCD) MUST be fitted to the mains supply.

Permanent installations to the mains supply (hard wiring) must comply with the regulations of the local electricity authority which may stipulate the use of metal or plastic conduit to protect the cable.

If in any doubt about wiring to the mains supply contact a qualified electrician or your local electricity authority.

Protect from frost. In cold winter weather (when fish are inactive and algae growth ceases) the unit may be switched off. It should then be drained of water, removed (if possible) from its installation and stored in a dry, frost-protected area.

Directions for use

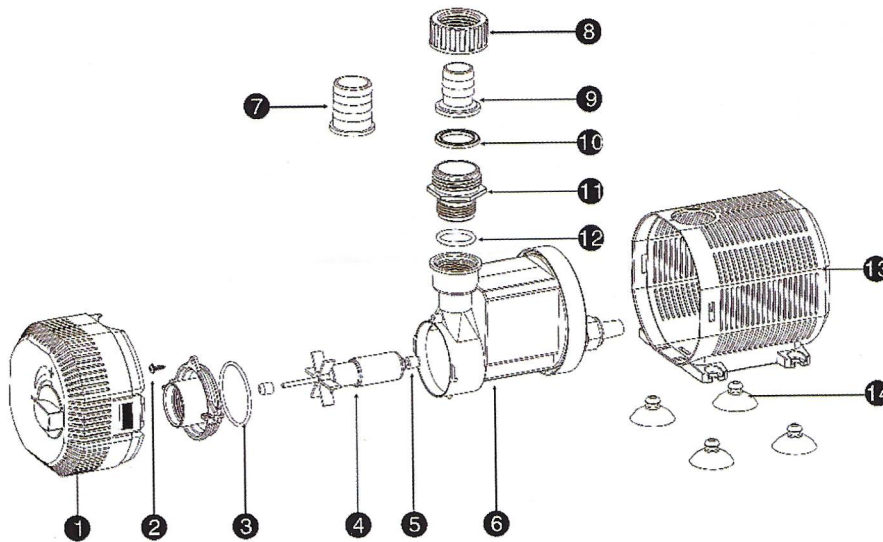
Installation

Once installed the pond water will flow through the pump as the pump’s impellor draws in water. It is always best to position your pump at the opposite end to where the water returns to the pond to provide maximum circulation.

Your pond is supplied with a hosetail. This should be screwed into the threaded pump inlet. Pond hose size 25-25mm (3/4” to 1”) can be attached to the inlet hosetail. Cut the inlet hose to the size appropriate to the size of hose you are using. Then connect the hose from your

pump to your filter system or position it where you want the water to return. Ensure a watertight seal by the use of hoseclips.
 Submerge the pumps completely in your pond so as to make the pump body fill with water. A water level of approx. 15 cm (6 in.) is required for submersible use in order to prevent the pump from taking in air.

Fig 1 - Exploded Diagram - Pump



NO.	NAME	NO.	NAME	NO.	NAME
1	Filter basket	6	Motor	11	Flange
2	Screw	7	Big outlet	12	O-ring2
3	O-ring1	8	Outlet nut	13	Big filter basket
4	Rotor	9	Small outlet	14	Suction cup
5	Rubber bearing	10	Gasket		

The above diagram (fig 1) enables you to familiarise yourself with the components housed within the product. Also shown is a suggestion of how you could run this pump straight to a waterfall and/or pond filter or spitter by simply connecting a piece of pond hose (20 or 25mm diameter) by connecting the supplied hosetail (no. 7).

Fig 2 - Troubleshooting

Flow too fast/too slow

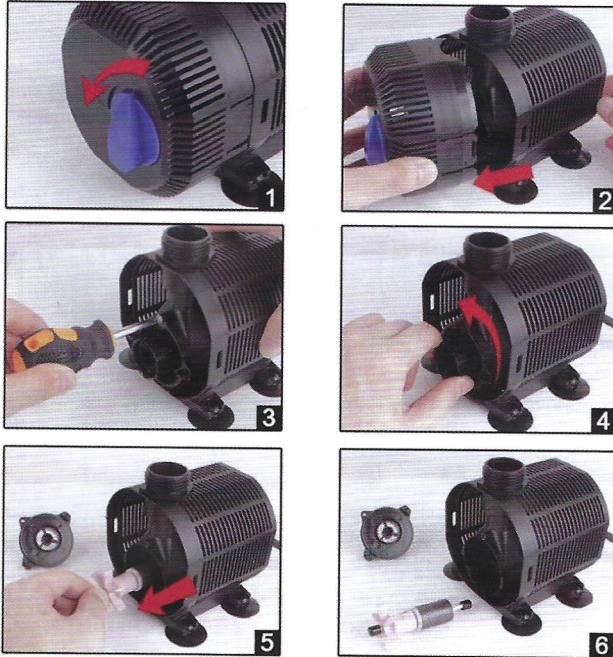
The flow of water omitted by the pump can be adjusted by turning up/down the blue dial featured at the front of the pump (1).

Pump blocked – water stops flowing

Occasionally large solids make block the holes in the filter cage surrounding the pump – these should be carefully wiped away. A clogged or dirty intake will put a strain on the motor and greatly reduce its performance. If the area where the pump is stood is very dirty, raising its position slightly will assist flow.

To clean the pump, remove the impellor housing and impellor. Use clean water and a small brush to remove debris. Check that the hoses or the outflow are not blocked. A garden hose can be used to flush out any algae.

IMPORTANT – Ensure Pump Power is switched off before following next procedure
Occasionally the strainer cage surrounding the pump will get blocked with slime and debris. To open the filter cage simply squeeze down on the two pressure ‘pads’ either side of the pump housing and pull the pieces apart (2). To access the impellor simply unscrew the holding pin (3) then turn the impellor cover anti-clockwise a half turn (4).



Overload protection
The pump has a built-in thermal overload trip which prevents the pump from overheating. The pump must be allowed to cool down before restarting (around 30 minutes).

Overload protection

The pump has a built-in thermal overload trip which prevents the pump from overheating. The pump must be allowed to cool down before restarting (around 30 minutes).

Limited Warranty

This product is guaranteed for a period of 12 months (excluding rotor/impellor assembly) from the date of purchase for material or manufacturing defects. The guarantee covers the substitution of defective parts. However, the guarantee is considered null and void in the case of improper use, improper handling or negligence on the part of the buyer. If your PondHero pump fails please take it back to the retail outlet from where it was purchased. You will be required to take your receipt/proof of purchase with you. This does not affect your statutory rights.

PondHero
A3 Bentley Avenue
Billingham
TS23 4BU
UK
01642 370898



Your appliance contains valuable materials which can be recovered or recycled. Leave it at a local civic waste collection point.