



tempest

Innovative Polisher For Ponds

NEW FOR 2021

NEW Evolution Aqua Tempest

Introducing the new **Tempest** from Evolution Aqua. The Tempest filter is an **innovative polishing system** for ponds that will help to deliver **crystal clear, healthy water**. Designed to be used in conjunction with any filtration system, the Tempest offers **additional mechanical** and **biological** filtration.

The Tempest filter can also be used on **quarantine systems** or as a **standalone filter** on smaller ponds.

The Tempest filter is **easy to install** and is **simple** and **quick to clean**, by way of a **unique, patent pending air syphon design**. During the cleaning process, air is drawn into the filter as it empties which causes the water to **agitate**, effectively cleaning the **K+Media**.

Using Evolution Aqua's **K+Media** as the filter media, particles down to one micron can be filtered. Not only that, **K+Media** is the result of extensive research and development, moulded with minerals for faster maturation times.

Evolution Aqua filter media has been independently tested by **IFTS (Institut de la Filtration et des Techniques Séparatives)**.



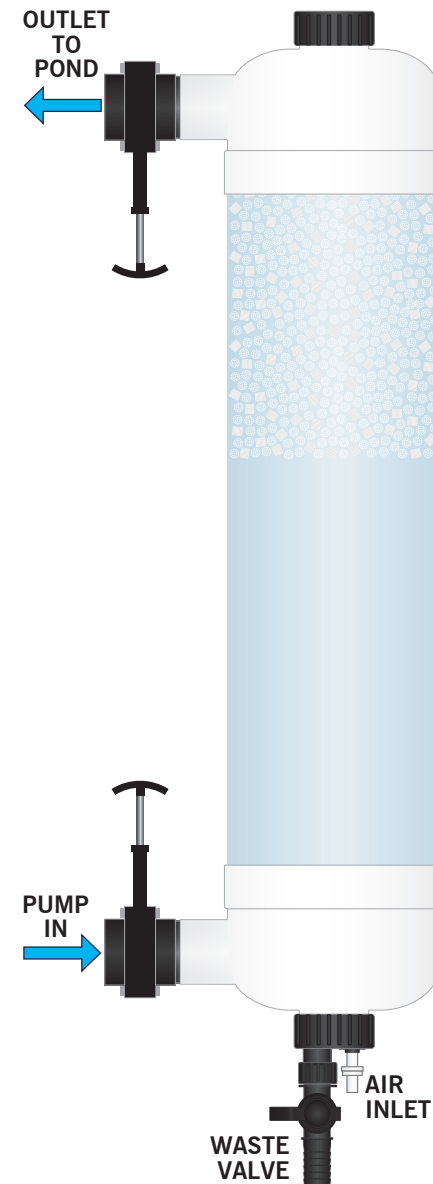
How Tempest works and cleans

How it works

Water is pumped up through the Tempest filter. The **K+Media** moves to the top of the filter, becoming a mechanical barrier that traps debris as it flows through the system. Waste is trapped in the **K+Media** until the cleaning cycle dislodges it and it gets flushed away.

Easy to clean

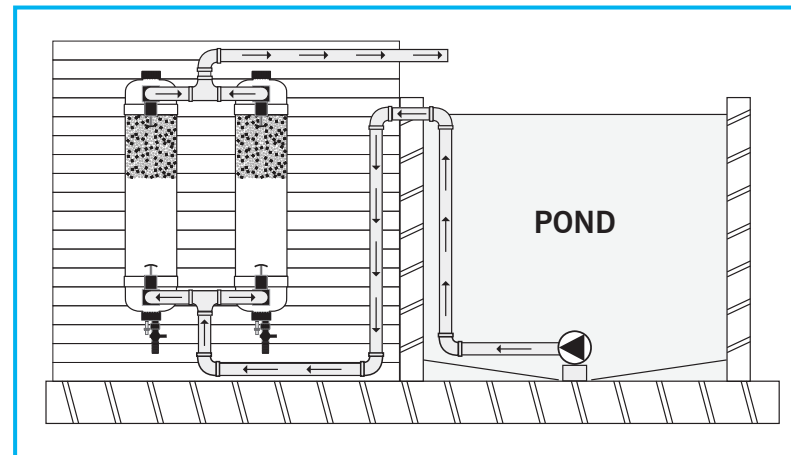
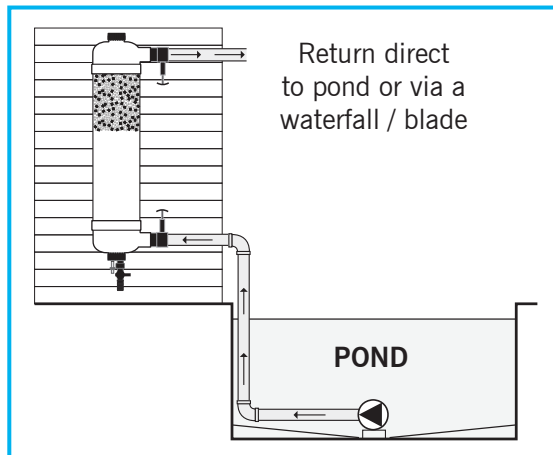
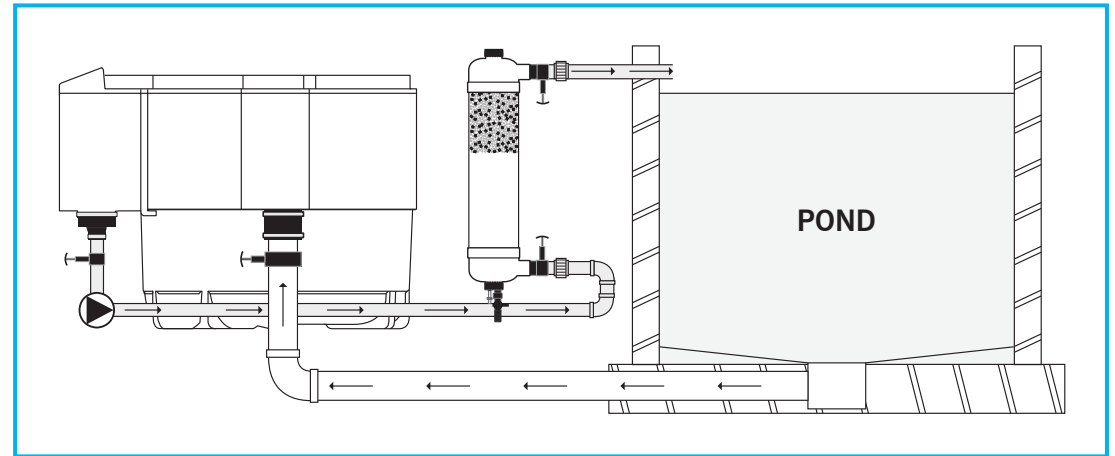
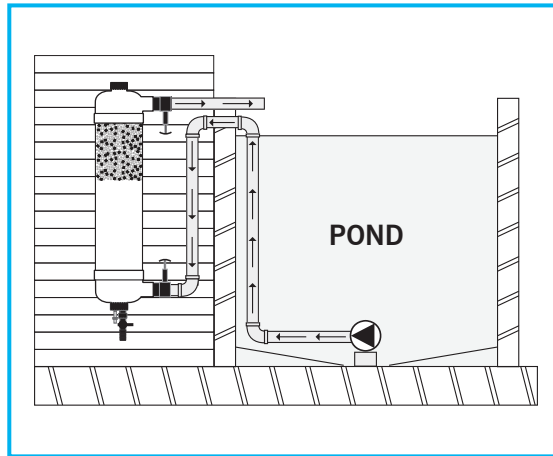
With the pump turned off, slide valves closed, and waste valve open, air is drawn into the filter. As air and water mix inside the filter tube, the media starts to move chaotically, dislodging the trapped waste. Dirty water then exits the filter tube at the bottom via the waste line, leaving clean media.



Installation examples

Tempest filters can be installed on a variety of set-ups.

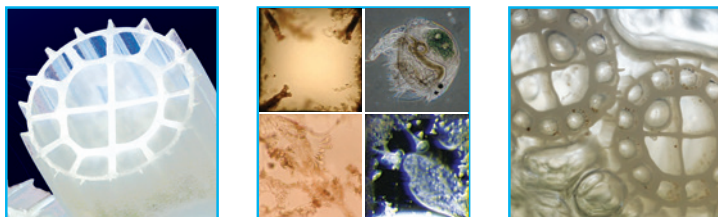
On larger systems that require a higher flow rate, multiple Tempest filters can be installed in a modular system.



K+Media - Advanced Filtration

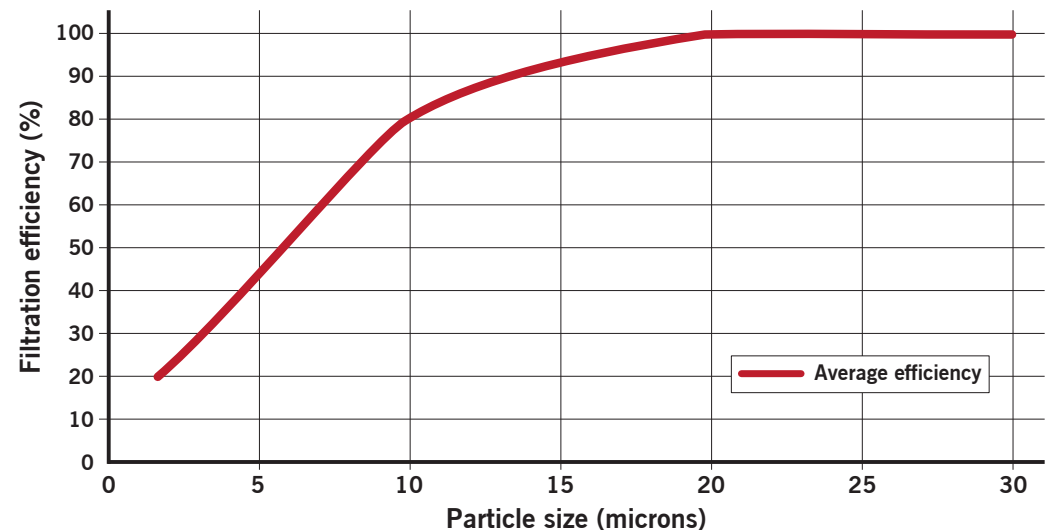
K+Media is designed and manufactured by Evolution Aqua. This advanced media, with its **innovative design** and **class leading surface area** provides **enhanced biological** and **mechanical** filtration. As Evolution Aqua extrude the **K+Media**, **minerals** and **enzymes** are added to the raw material. The result of this process, unique to Evolution Aqua, is a filtration media that not only **outperforms most of its competitors** due to its large **protected surface area**, but also answers the problem of how to **speed up** the time taken to mature your filter.

- Class leading total surface area 1350m² per m³
- Vast protected surface area 1025m² per m³
- Filters mature faster with K+Media
- Minerals incorporated into each piece during extrusion
- Unique design for stable bio-film development
- Exceptional solids removal



Percentage of particle size removed on each turnover of the pond*

*When running at optimum flow rate (5,000 lph)



Proven by IFTS (Institut de la Filtration et des Techniques Séparatives) to remove all particles over 25 micron on each pass through the filter.

IFTS International Filter Testing Services is the international reference for solid-liquid separation. Founded in 1981, IFTS is an independently regulated, ISO 17025 accredited, laboratory and research center focusing on liquid filtration and separation science. IFTS quality management system is certified to ISO 9001:2015.

Overview of features

- Use as a **polisher** to deliver **crystal clear, healthy** water
- Designed to be used in **conjunction with any filtration system**
- Can also be used as **standalone filter** on smaller ponds
- **Quick and easy to clean** - patent pending air syphon design
- Uses **K+Media** as **mechanical and biological** filtration media
- **Traps particle down to one micron**
- Evolution Aqua filter media **independently tested**
(*IFTS and Cranfield University*)
- **Easy to install**
- **Low maintenance**
- **2 year guarantee**
- **Full printed retail packaging**



Technical specifications

INLET	1½" (UK / USA) / 50mm (EU)
OUTLET	1½" (UK / USA) / 50mm (EU)
DRAIN SIZE	1" (UK / USA) / 32mm (EU)
MAXIMUM FLOW RATE	7,500 LPH / 1,650 GPH / 1,980 US GPH
OPTIMUM FLOW RATE	5,000 LPH / 1,100 GPH / 1,320 US GPH
K+MEDIA SUPPLIED	7 Litres
DIMENSIONS	1100mm x 350mm x 200mm
WATER VOLUME IN FILTER	25 Litres / 5.5 Gallons / 6.6 US Gallons

PRODUCT	EA ORDER CODE	BARCODE
Tempest Pond Filter	TEMPFILO1	5056231201834

tempest

Evolution Aqua Ltd.

Evolution House
Kellet Close
Wigan
Lancashire
United Kingdom
WN5 0LP

t: +44 (0) 1942 216554
f: +44 (0) 1942 418489
e: info@evolutionaqua.com
w: www.evolutionaqua.com