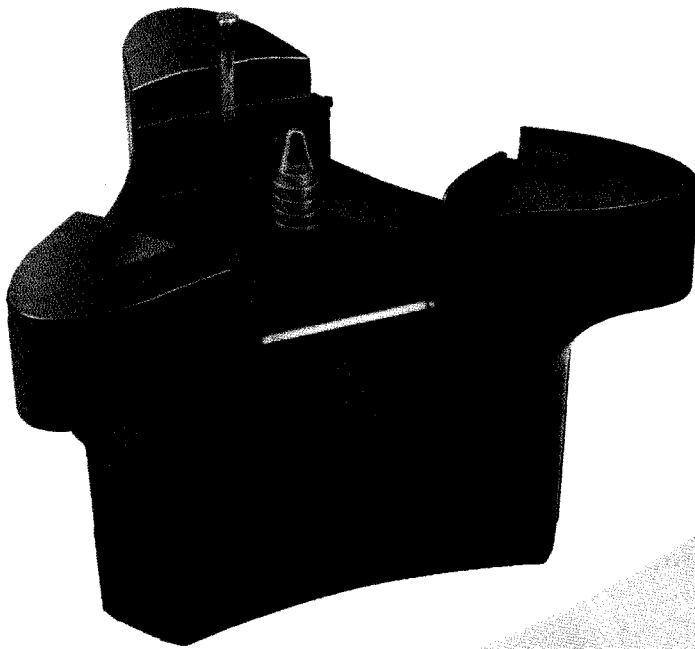




# **SkimmTrio 36 Pond Surface Skimmer**

## **Instruction Manual**



Before operating this appliance, please read this instruction manual completely and keep it handy for future reference!

# SkimmTrio 36

Congratulations on your purchase of this Pond Skimmer.

This item has been carefully designed and manufactured to provide you with years of use. Read and observe all of the instructions clearly before installing, connecting and operating. Always disconnect the Skimmer when not in use and when carrying out maintenance. Always disconnect all equipment in the pond before starting to handle, maintain, repair or install any pond equipment.

The appliance is not intended for use by persons (including children) with reduced physical, sensory or mental capabilities, or lack of experience and knowledge, unless they have been given supervision or instruction concerning use of the appliance by a person responsible for their safety.

Children should be supervised to ensure that they do not play with the appliance.

## 【 FEATURE 】

1. New and beauty appearance, easy dismount.
2. Big filter area long maintenance intervals.
3. ABS material long lifetime.
4. Copper module, better ceramics axes.
5. With filter, skimming, oxygenation and fountain. Can twist as u want.
6. Two-way bilging, better skimming.
7. Quiet in water.

## 【 DESCRIPTION 】

The pump suct small dirty in fiter and big in basket. Using sponge can clean dirty above water. Clean the sponge in time or it will block.

### APPLICATION:

Using in pond, aquaculture. Can clean, oxygenation and fountain.

### General Safety Instructions

For safety reasons, servicing or repair of this item should only be carried out by pondXpert.

Never hang or carry the Skimmer by the power cord.

Do not operate the Skimmer with a damaged cord or plug. The supply cord of the appliance cannot be replaced.

If the electrical cord is damaged the product should be scrapped.

# SkimmTrio 3

### Safety and Electrical Connections

This unit is designed for outdoor use only. It is securely on a the pond surface.

The Skimmer is electrically operated so great ca operation. The following electrical and safety g Each Skimmer is supplied with a 10 metre leng permanently connected to the product.

The termination to the mains supply should be enclosure, through a double pole switched fuse (disconnected) to BS 3676 – and fitted with a 3 Exposed cable runs should be sensibly position conduit. A 10mA or 30mA Residual Current Circ supply. Permanent installations to the mains su regulations of the local electricity authority whi conduit to protect the cable. If in any doubt ab qualified electrician or your local electricity auth Protect from frost. In cold winter the unit may b water, removed (if possible) from the pond. How your Skimmer during the winter months may hel this can be vital for the healthy of any fish or ot

1st January 2005 revised Building Regulations for Engl the garden is classified as 'notifiable'. The Regulations building control department that you intend to install t Your local authority will let you know how you can get

### Installation Instructions

1. Install the equipment completely and ch
2. Connect the cord at bottom.
3. Put the equipment into water. Please c length of the connecting cord to make sur
4. Connect the electrical source.

# SkimmTrio 36

## Safety and Electrical Connections

This unit is designed for outdoor use only. It is waterproof and should be situated safely and securely on a the pond surface.

The Skimmer is electrically operated so great care must be taken during installation and operation. The following electrical and safety guidelines must be carefully followed.

Each Skimmer is supplied with a 10 metre length of 3 core electrical cable which is permanently connected to the product.

The termination to the mains supply should be permanent, inside a dry weatherproof enclosure, through a double pole switched fused spur with a minimum contact gap of 3mm – (disconnected) to BS 3676 – and fitted with a 3 or 5 amp fuse.

Exposed cable runs should be sensibly positioned, and protected if necessary by armoured conduit. A 10mA or 30mA Residual Current Circuit Breaker (RCD) MUST be fitted to the mains supply. Permanent installations to the mains supply (hard wiring) must comply with the regulations of the local electricity authority which may stipulate the use of metal or plastic conduit to protect the cable. If in any doubt about wiring to the mains supply contact a qualified electrician or your local electricity authority.

Protect from frost. In cold winter the unit may be switched off. It should then be drained of water, removed (if possible) from the pond. However, it should be recognised that running your Skimmer during the winter months may help keep an area of the pond surface ice-free - this can be vital for the healthy of any fish or other aquarium life.

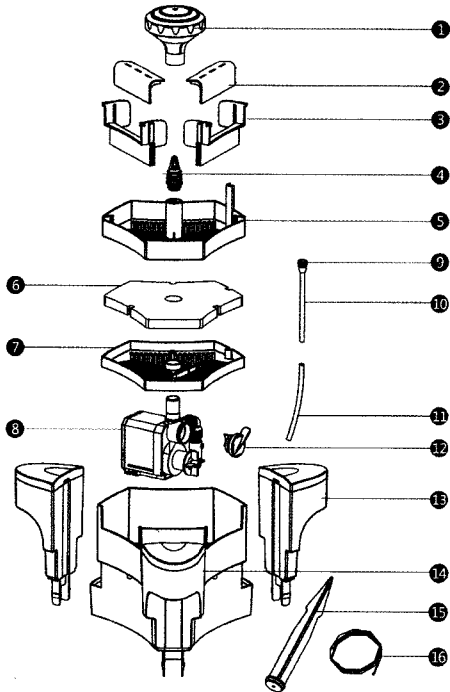
1st January 2005 revised Building Regulations for England and Wales Installing this product in the garden is classified as 'notifiable'. The Regulations now require you to tell your local authority building control department that you intend to install this product before installation. Your local authority will let you know how you can get your installation approved

## Installation Instructions

1. Install the equipment completely and check whether there is any missing parts.
2. Connect the cord at bottom.
3. Put the equipment into water. Please choose suitable position and adjust the length of the connecting cord to make sure the normal working of equipment.
4. Connect the electrical source.

# SkimmTrio 36

## 【 PART LIST】



1	Rocket Nozzle
2	Inflow Floating Gate
3	Floating Gate Base
4	Fountain End Cap
5	Upper Filter Basket
6	Filter Sponge
7	Down Filter Basket
8	Motor Part
9	Silencer
10	Oxygen Tube
11	Pipe
12	Switch
13	Floating Head
14	Shell
15	Pin
16	Hauling Cable

## TECHNICAL DATA:

Model	Voltage	Power	Output	H-max	Difference in depth of water
SkimmTrio36	220-240V/50Hz	45W	2500L/h	2.0m	>0.35m

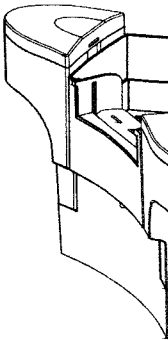
# SkimmTrio

## 【 INST

Before installation, please read the manual.  
Installation environment: this skimmer should be installed in a reservoir where full of water. The level of water should be above the floating head.

## 【 REVIEW AN

FUNCTION 1: SKIMMER  
Switch to skimmer then screw pl



# SkimmTrio 36

## 【 INSTALLATION 】

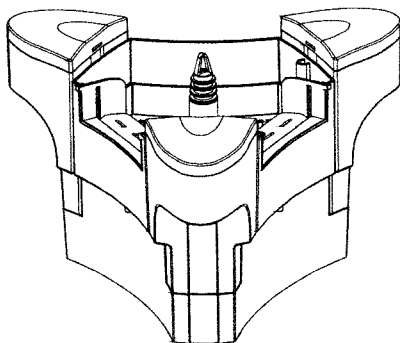
Before installation, please read the caution.

Installation environment: this equipment can be used in the pond or reservoir where full of water. The level of the water can not lower than 350MM.

## 【 REVIEW AND COMBINED WAY 】

### FUNCTION 1: SKIMMER

Switch to skimmer then screw plug. It can make water clean.

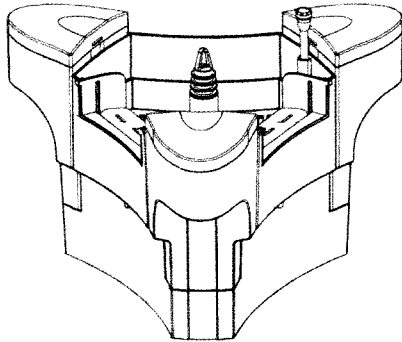


# SkimmTrio 36

## FUNCTION 2: SKIMMING & OXYGENATION

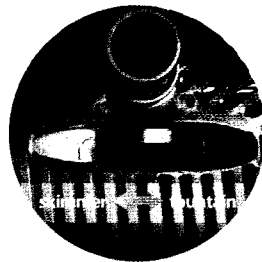
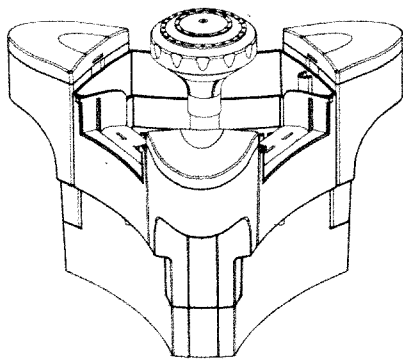
In function 1 condition adding oxygen. Then the main function is skimming and oxygenation.

When water flow through the filter basket, the pump mixes air with the water and drain to the pond which will improve the level of oxygen in the pond.



## FUNCTION 2: FOUNTAIN

Screw the switch to fountain. Fix spraying nozzles.



Adjust switch on unit

## ACCESSORIES

The equipment with one 10M cord and two links. You can fix cord at the bottom of **Skimmer** one end. Then fix another **aside** or in pond to sure the equipment will not float.

# SkimmTrio 36

## 【 MAINTENANCE 】

Please clean the sponge in time to ensure the water flow fluently.

Any crack on the equipment please replace it or maintain it immediately to make sure the safety and normal working.

If it is not very convenient to maintain or need any spare parts, please contact with us directly.

## 【 TROUBLE SHOOTING 】

MALFUNCTION	CAUSES	SOLUTIONS
Can not work	Without electricity	Check with the electrical
No oxygenation	Nozzle too loose	Adjust the spraying nozzle
Equipment floating away	Block channel or dirty sponge	Clean
Delivery slow	Impeller block	Clean

### Limited Warranty

This product is guaranteed for a period of 24 months from the date of purchase for material or manufacturing defects. The guarantee covers the substitution of defective parts. Guarantee does not include rotor assembly inc. impeller. However, the guarantee is considered null and void in the case of improper use, improper handling or negligence on the part of the buyer. If your pondXpert Skimmer fails please take it back to the retail outlet from where it was purchased. You will be required to take your receipt/proof of purchase with you.

This does not affect your statutory rights.



Your appliance contains valuable materials which can be recovered or recycled. Leave it at a local civic waste collection point.

PondXpert  
A3 Bentley Avenue  
Billingham  
TS23 4BU  
UK  
01642 370898  
[www.pondxpert.co.uk](http://www.pondxpert.co.uk)



