



TripleAction™

Congratulations on your purchase of a PondXpert TripleAction 'all-in-one' pond pump. This product has been designed using the latest technology and will provide you with a clear healthy pond for years to come.

PondXpert pumps are carefully inspected and tested to ensure both safety and operating performance. However, failure to follow the instructions and warnings in the manual may result in product damage and/or serious injury.

General safety instructions

Read and observe all of the instructions before installing, connecting and operating.

Make sure the pump is securely and correctly installed before switching on.

Always disconnect the pump when not in use and when carrying out maintenance.

Always disconnect all equipment in the pond before starting to handle, maintain, repair or install any pond equipment.

The appliance is not intended for use by persons (including children) with reduced physical, sensory or mental capabilities, or lack of experience and knowledge, unless they have been given supervision or instruction concerning use of the appliance by a person responsible for their safety.

Children should be supervised to ensure that they do not play with the appliance.

For safety reasons, servicing or repair of this item should only be carried out by PondXpert. Never hang or carry the pump by the power cord.

Do not operate the pump with a damaged cord or plug. The supply cord of the appliance can not be replaced.

If the electrical cord is damaged the product should be scrapped.

Safety and Electrical Connections

This unit is designed for outdoor use only. It is waterproof and should be situated safely under the water surface. The pump should be sited where it can be easily reached for maintenance and at the opposite end to where pumped water is discharged (eg, waterfall) to maximise water disturbance.

Direct exposure to UVC light can damage the eyes and skin. NEVER look directly at the UV when switched on. The translucent disc on the strainer cage will illuminate showing that the UV is working.

The pump and ultra violet clarifier housed within the filter is electrically operated so great care must be taken during installation and operation. The following electrical and safety guidelines must be carefully followed.

The pump is supplied with a length of 3 core electrical cable which is permanently connected to the ultra violet clarifier unit and pump housed inside the outer strainer cage of the unit. Always disconnect all equipment in the pond before starting to handle, maintain, repair or install any pond equipment.




TripleAction™

The wires in the mains electrical lead are coloured in accordance with the following code:

BLUE - Neutral (marked with an "N" in most terminal connections)

BROWN - LIVE (marked with an "L" in most terminal connections)

GREEN/YELLOW - EARTH (marked "E" or  in most terminal connections).

1st January 2005 revised Building Regulations for England and Wales

Installing this product in the garden is classified as 'notifiable'. The Regulations now require you to tell your local authority building control department that you intend to install this product before installation. Your local authority will let you know how you can get your installation approved.

The termination to the mains supply should be permanent, inside a dry weatherproof enclosure, through a double pole switched fused spur with a minimum contact gap of 3mm - (disconnected) to BS 3676 - and fitted with a 3 or 5 amp fuse.

Exposed cable runs should be sensibly positioned, and protected if necessary by armoured conduit.

A 10mA or 30mA Residual Current Circuit Breaker (RCD) MUST be fitted to the mains supply. Permanent installations to the mains supply (hard wiring) must comply with the regulations of the local electricity authority which may stipulate the use of metal or plastic conduit to protect the cable.

If in any doubt about wiring to the mains supply contact a qualified electrician or your local electricity authority.

Protect from frost. In cold winter weather (when fish are inactive and algae growth ceases) the unit may be switched off. It should then be drained of water, removed (if possible) from its installation and stored in a dry, frost-protected area.

The supply cable cannot be replaced. If the cable is damaged, the unit must be discarded.

Directions for use

Your TripleAction Pump should be positioned submerged in the pond with a depth of no more than 2 metres. The unit is a combined pond pump / filter and UVC in one unit.

Model Performance Ratings

Model	Voltage	Total Power	UVC Power	Max Height	Max Flow	Max Pond	Max Pond with Fish
2000	220-240V/50Hz	24W	5W	1.6m	1000lph	2000L	1000L
3000	220-240V/50Hz	28W	9W	1.6m	1000lph	3000L	1500L
6000	220-240V/50Hz	45W	11W	2.0m	2000lph	6000L	3000L
9000	220-240V/50Hz	59W	13W	2.5m	2500lph	9000L	4500L

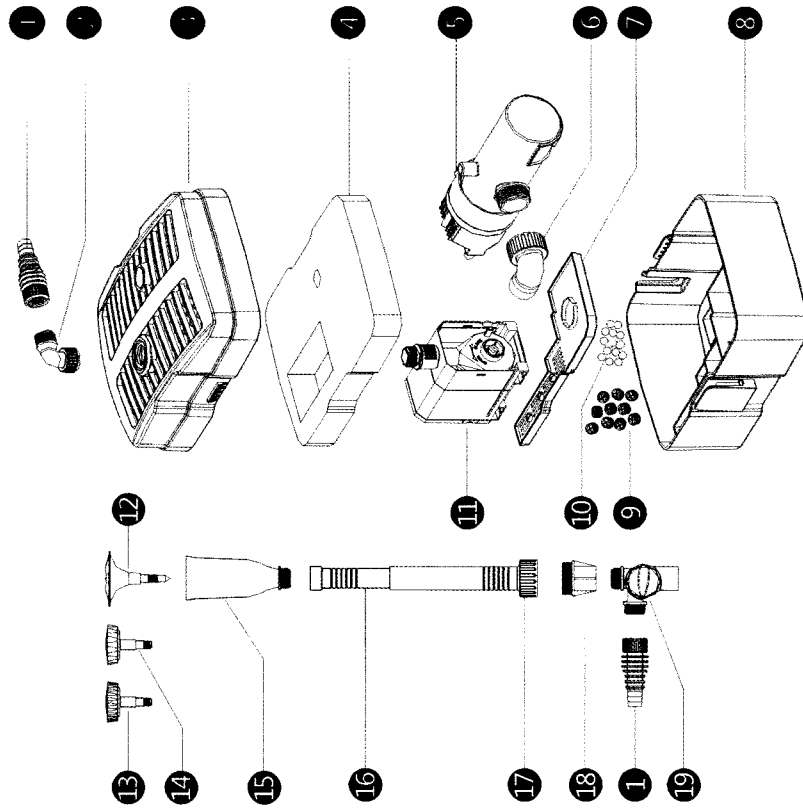
Attachment of pond hose

A multi-stage hoesetail is included which accepts hose sized 12/20/25mm diameter.

TripleAction 2000

INSTRUCTIONS

PART LIST

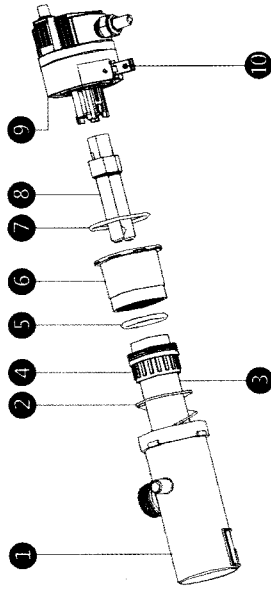


1	Outlet	8	Filter Base	15	Fountain Sets Base
2	Elbow Pipe 1	9	Bio-cell	16	Extension Pipe
3	Filter Cover	10	Gravel	17	Nut
4	Sponge	11	Water pump	18	Flange
5	UV-C Lamp	12	Fountain Head(Tent Type)	19	T-joint
6	Elbow Pipe 2	13	Fountain Head(Rain Type 1)		
7	Cover plate	14	Fountain Head(Rain Type 2)		

TripleAction 2000

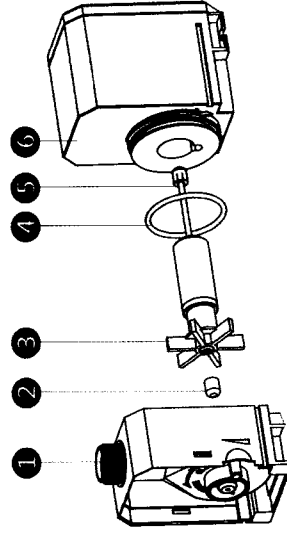
INSTRUCTIONS

5. UV-C Lamp



5-1	UV Light Shell Body	5-5	45x4 O-ring	5-9	UV-C Device Head with Cable
5-2	Spiral Sleeve	5-6	Quartz Glass Tube Sleeve	5-10	Safety Lock
5-3	Quartz Glass Tube	5-7	60x3.1 O-ring		
5-4	Fasten Screw	5-8	UV-C Bulb		

11. Water Pump



11-1	Impeller Cover
11-2	Rubber Bearing
11-3	Rotor
11-4	O-ring
11-5	Shaft
11-6	Shell Body

Installation and Maintenance

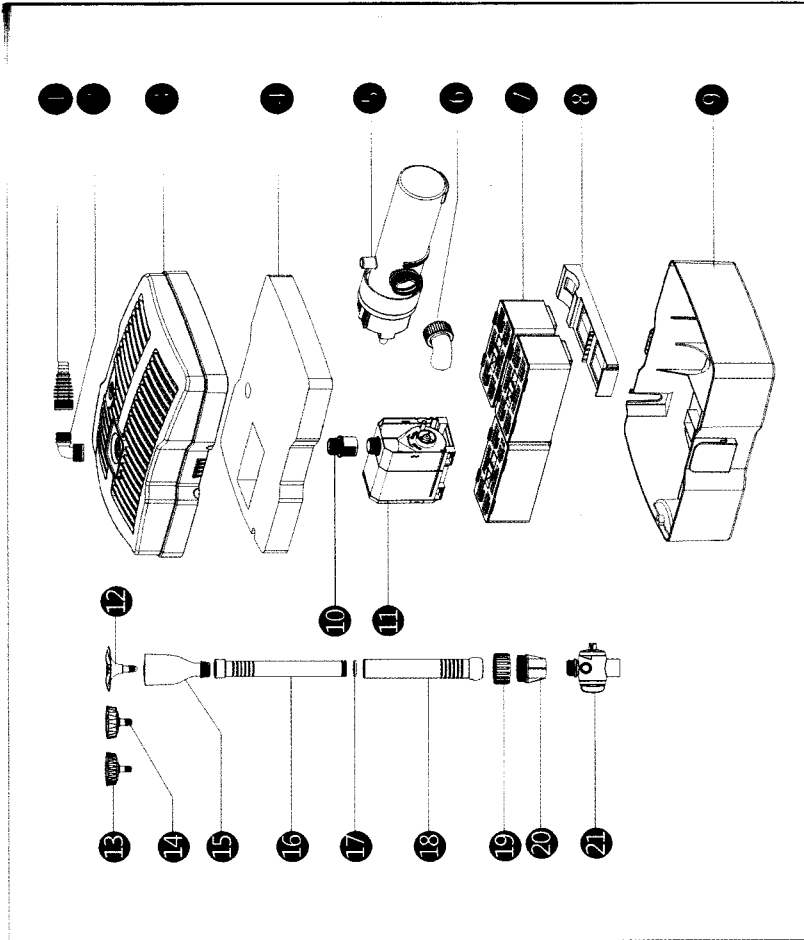
Please ensure to switch off the electrical power when cleaning the outside or inside of the pump or changing the UV bulb.

Installation

To achieve a fountain and flow of water via the adjustable valve connect No. 15-16-17-18-19 together, choose a suitable fountainhead from 12-13-14 and connect to number 15. Then connect this fountain set to the interface of screw thread on main unit 3. Adjust the height of the fountain to the requested height and submerge the equipment under the pond water. If you simply want to produce a water flow then simply attach parts 1 and 2 to number 3

TripleAction 3000

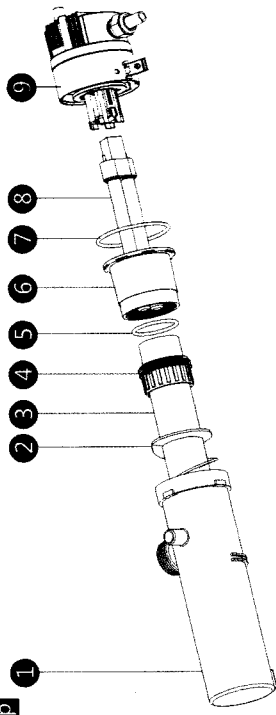
PART LIST



1	Outlet	8	Runner Plate	15	Fountain Sets Base
2	Elbow Pipe 1	9	Filter Base	16	Connection Pipe 2
3	Filter Cover	10	Adapter	17	O-ring
4	Sponge	11	Water Pump	18	Connection Pipe 2
5	UV-C Lamp	12	Fountain Head(Tent Type)	19	Nut
6	Elbow Pipe 2	13	Fountain Head(Rain Type 1)	20	Flange
7	Filter Boxes	14	Fountain Head(Rain Type 2)	21	T-joint

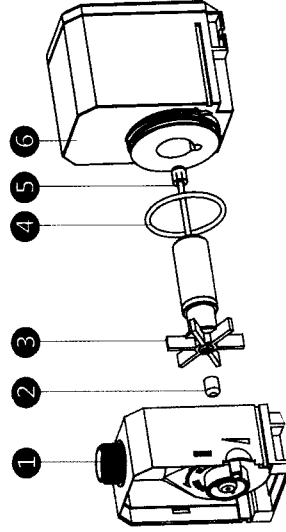
TripleAction 3000

5-UV-C Lamp



5-1	UV Light Shell Body	5-4	Fasten Screw	5-7	60x3.1 O-ring
5-2	Spiral Sleeve	5-5	45x4 O-ring	5-8	UV-C Bulb
5-3	Quartz Glass Tube	5-6	Quartz Glass Tube Sleeve	5-9	UV-C Device Head with Cable

11 Water Pump



11-1	Impeller Cover
11-2	Rubber Bearing
11-3	Rotor
11-4	O-ring
11-5	Shaft
11-6	Shell Body

Installation and Maintenance

Please ensure to switch off the electrical power when cleaning the outside or inside of the pump or changing the UV bulb.

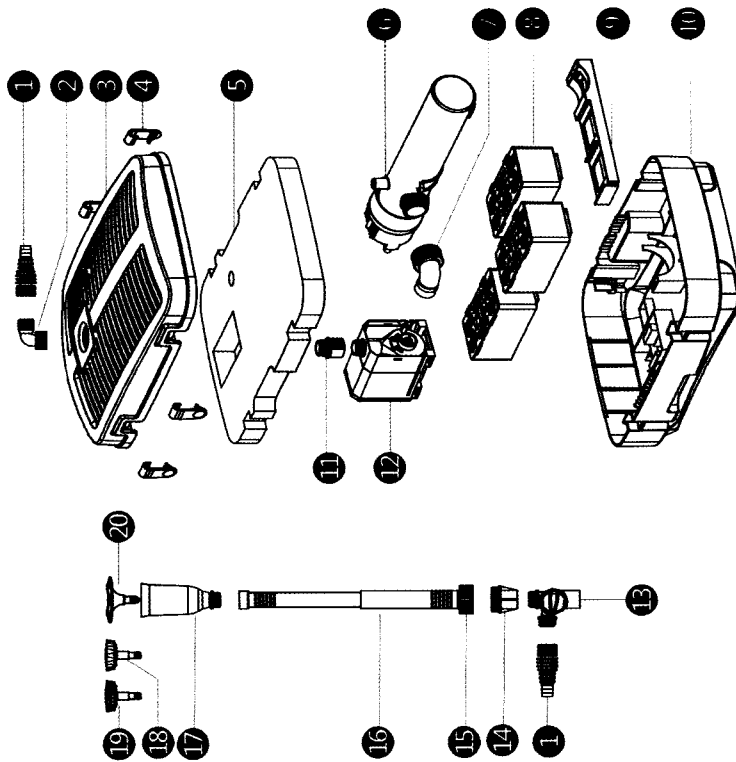
Installation

To achieve a fountain and flow of water via the adjustable valve connect No. 15, 16, 17, 18, 19, 20, 21 together, choose a suitable fountainhead from 12-13-14 and connect to number 15. Then connect this fountain set to No. 10 the interface of screw thread on main unit 3. Adjust the height of the fountain to the requested height using parts 16 and 18 that act as telescopic risers and submerge the equipment under the pond water.

If you simply want to produce a water flow then simply attach parts 1 and 2 to number 3.

TripleAction 6000/9000

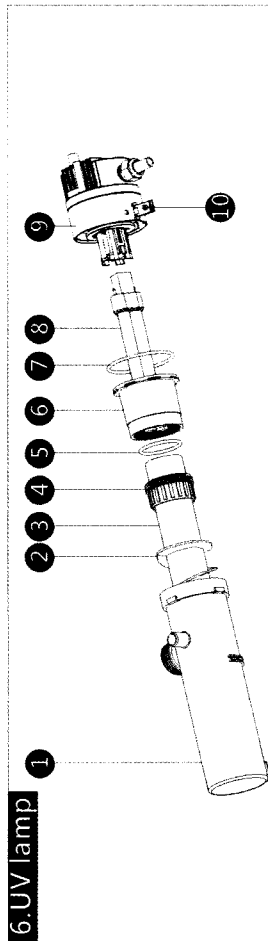
PART LIST



1	Outlet	2	Elbow pipe1	3	Filter basket
4	Clip	5	Sponge	6	UV lamp
7	Elbow pipe2	8	Filter material boxes	9	Runner
10	Filter base	11	Adapter	12	Water Pump

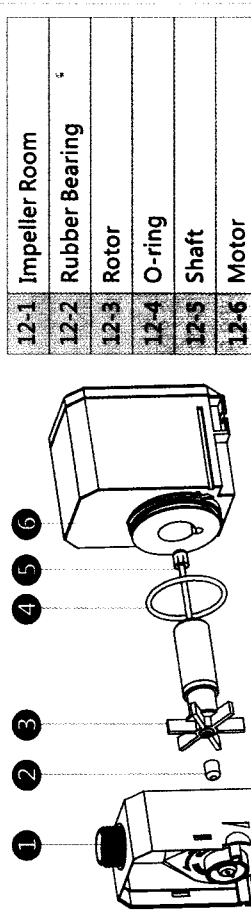
TripleAction 6000/9000

13	T-joint	14	Flange	15	Fixing-nut
16	Connection pipe	17	Fountain sets base	18	Fountain head (Volcano type1)
19	Fountain head (Volcano type2)	20	Fountain head (Tent type)		



6-1	UV shell body	6-5	45x4 O-ring	6-9	UV head
6-2	Spiral sleeve	6-6	Quartz glass tube sleeve	6-10	Safety latch
6-3	Quartz glass tube	6-7	60x3.1 O-ring		
6-4	Fixing-nut	6-8	UV tube		

12 Water Pump



Installation and Maintenance

Please ensure to switch off the electrical power when cleaning the outside or inside of the pump or changing the UV bulb.

Installation

To achieve a fountain and flow of water via the adjustable valve connect No. 17, 16, 15, 14, 13 together, choose a suitable fountainhead from 18, 19, 20 and connect to no. 11. Screw this part through No. 3. If you simply want to produce a water flow then simply attach parts 1 and 2 to No. 3.

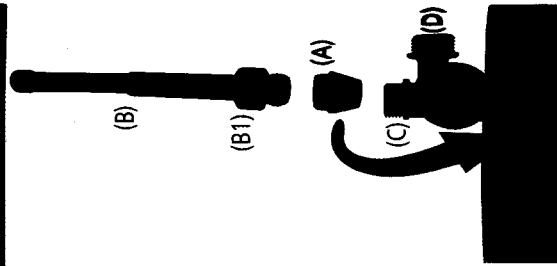
Fountain Set / T-Piece Installation

Fountain Only

Your pump ships with the Joining Flange (A) screwed into the bottom of the Fountain Stem (B). This piece (A) helps lock the lid to the base of the product and must be unscrewed to gain access to the 'insides' of the product. Screw it onto the pump outlet - position shown by 'arrow' in image shown

T-Piece

Installation of the T Piece allows water flow distribution to be shared between a fountain and a hosetail (eg. to use the flow to run a fountain and water feature). To utilise this function screw the T-Piece Valve (C) through the main body of the product into the pump outlet position (position shown by arrow on diagram to right). Install the Joining Flange (A) onto the T-piece (C) then screw the Fountain Stem (B) into Joining Flange (A) tightening with Locking Ring (B1). The Hosetail (not shown) can now be screwed into the T-Piece Outlet (D).



Maintenance - All Models - Foam Filter and Biomedia

Take off the fountain set or hosetail by unscrewing from main body. Ensure the joining flange from base of fountain is then unscrewed and removed (connects fountain set to main body) (piece 14 on 6000/9000, piece 20 on 3000, piece 18 on 2000). Open the two clips on side of main body (4 clips on 6000/9000) to remove outer strainer cage. Take out the foam filter and rinse under pond water to clear away debris blockages. The 2000 model has two areas of biomedia - these should be agitated with a finger and any dirt discarded.

The 3000, 6000 and 9000 models have pods of biomedia - these pods can be rinsed in pond water (be careful not to unhook the lid of the pod and lose contents).

Maintenance UV Lamp

Please note that all UV bulbs degrade over time. It is expected that your UV bulb will maintain its functionality for 6-8 months before it will need to be replaced. It will still illuminate but will not be effective at stopping green water.

Once you have unclipped the lid and removed the foam you will see that there are two holding screws that need to be unscrewed and removed to be able to lift the UV unit free of the main product.

Once you have the UV unit in your hands - flick open the hinged plastic safety switch (it has 'LOCK' written on it). Hold the ballast part (with electric cable attached) in one hand and the long 'chamber' part in the other - twist the 'chamber' anti-clockwise a quarter inch turn - after you feel it move one part can now be separated from the other.

2000

Pull out the existing bulb from the clear quartz glass tube. Now you can switch the old UV

bulb for a new one.

Fix new bulb in position then reverse directions above.

3000

Pull out the existing bulb from the clear quartz glass tube. Now you can switch the old UV bulb for a new one.

Fix new bulb in position then reverse directions above.

If you need to clean the quartz glass tube please take out the components inside of the chamber, unload the screw No. 4 to gain access to the quartz.

6000 / 9000

Pull out the existing bulb from the clear quartz glass tube. Now you can switch the old UV bulb for a new one.

Fix new bulb in position then reverse directions above.

If you need to clean the quartz glass tube please take out the components inside of the chamber unload the screw No. 6-4 to gain access to the quartz.

Maintenance Pump - All Models

Turn impeller cover in an anti-clockwise direction until the marked position then you can separate the pump body and impeller cover. Take out the impeller and gently clean it with clean water and suitable brush.

Periods of Operation

Maintain filtration 24 hrs a day through the fish feeding season (typically early March-October when the water temperature is above 10 degrees C), but preferably all year round. In the winter operating the pump and filter will maintain a background level of friendly bacteria in the filter and help prevent the pond icing up in all but the severest weather conditions.

The UV bulb should be changed at the beginning of every new season. The lamp may look like it is working but the levels of effective UV radiation decrease over time.

Limited Warranty

This product is guaranteed for a period of 24 months from the date of purchase for material or manufacturing defects. The guarantee covers the substitution of defective parts. However, the guarantee is considered null and void in the case of improper use, improper handling or negligence on the part of the buyer. The UV bulb, quartz sleeve, foams and pump impeller are not guaranteed. If your pondXpert pump fails please take it back to the retail outlet from where it was purchased. You will be required to provide your receipt/proof of purchase. This does not affect your statutory rights.

PondXpert

A3 Bentley Avenue

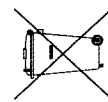
Billingham

LS23 4BU

UK

01642 370898

www.pondxpert.co.uk



Your appliance contains valuable materials which can be recovered or recycled. Leave it at a local civic waste collection point.