

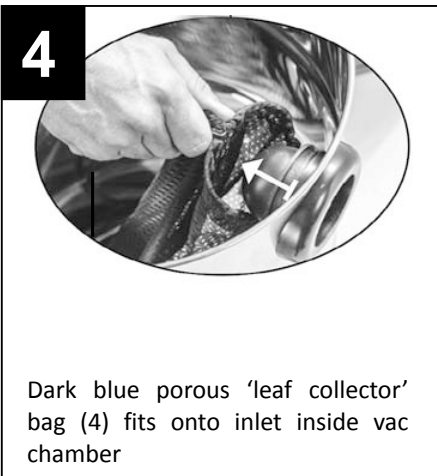
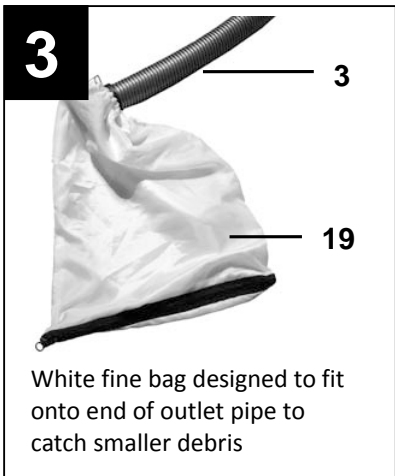
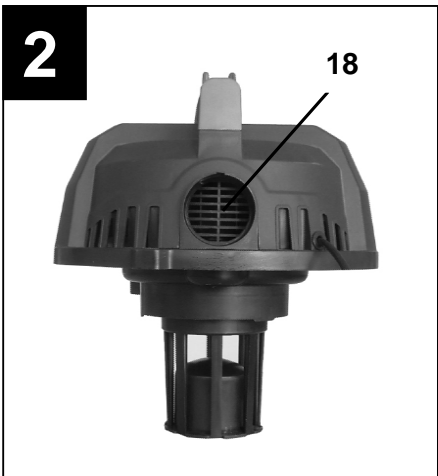
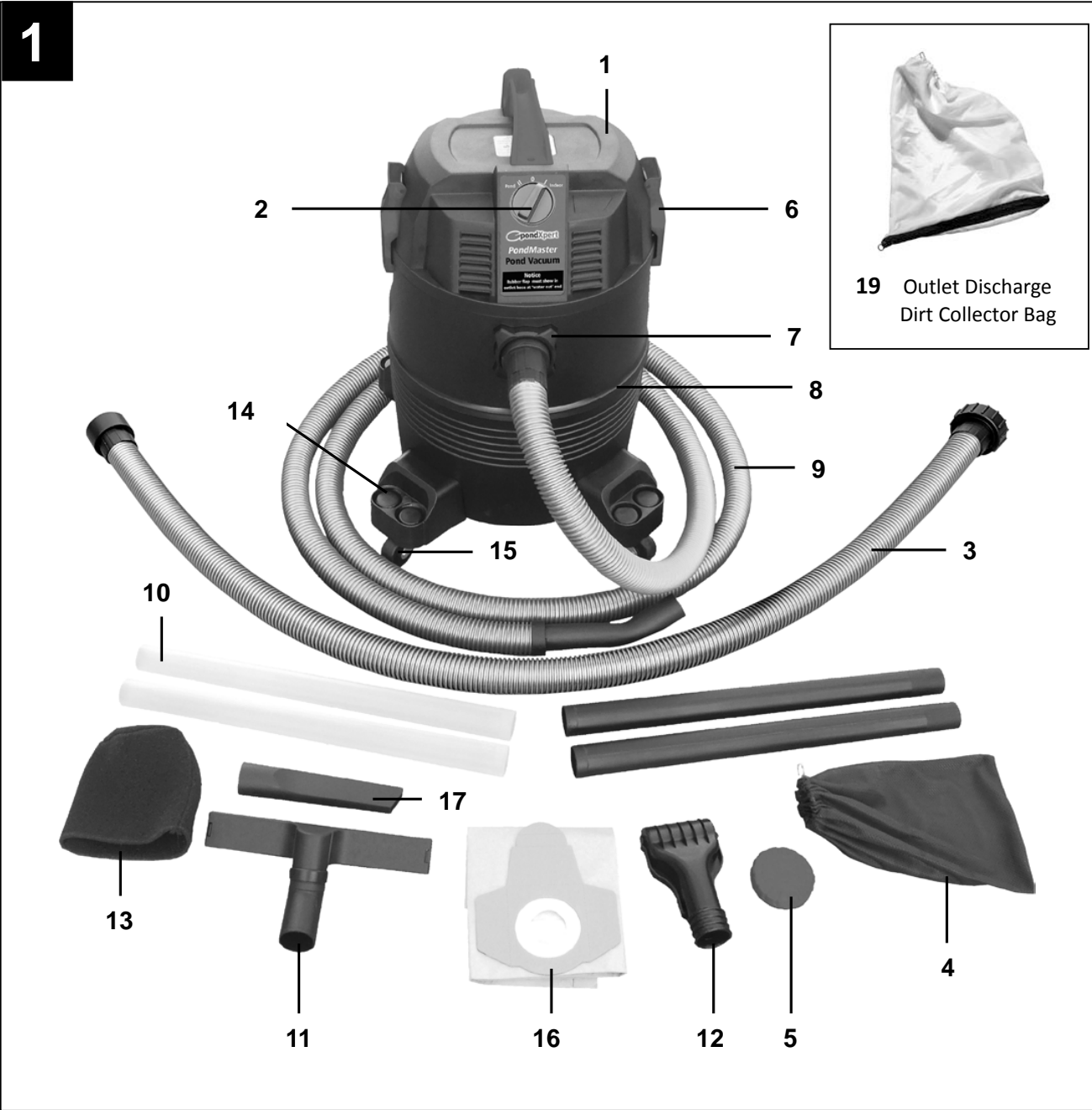


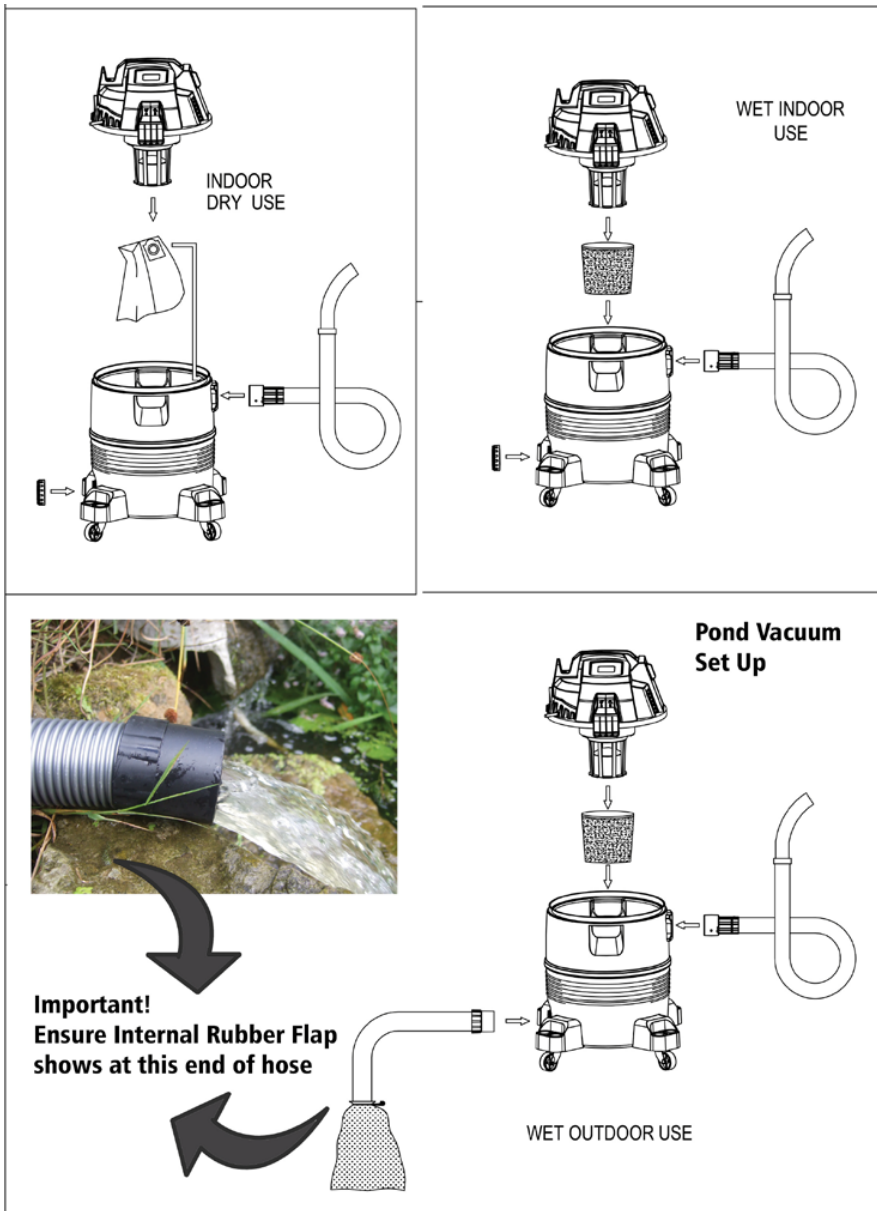
PondMaster Pond Vacuum

4 in 1 Pond Cleaner
Outdoor Vacuum with Indoor Function
PXVACMASTER



This Book Contains Important Information Regarding: SAFETY, ASSEMBLY, OPERATION, MAINTENANCE and WARRANTY POLICY. Please Read And Keep This Book For Future Reference.





1	Motor head. 1400 watts, rated voltage: 230V~50Hz,cable length 4.0 metres
2	ON/OFF switch – Also INSIDE / POND Usage Selector
3	Discharge hose. Dia 35mm /2.0 metres long, with integrated blocking flap
4	Dark blue porous 'leaf collector' bag fits onto inlet inside vac chamber
5	Drainage hole cap (changes pond operation to wet/dry operation)
6	Locking clips
7	Suction hose plug-in connector entry hole
8	Main body collection tank, 35 litre capacity
9	Suction hose. Dia 35mm /4.0 metres long
10	Suction tube extensions(4 pieces), each 48.5cm long, 2 pieces are transparent
11	Universal nozzle for ponds, liquids, carpets and garden debris
12	Pond cleaning nozzle for general use (2-10mm) removes mud without taking in gravel.
13	Filter sponge for motor (for pond and wet vacuuming)
14	4 wheel holders
15	4 wheels
16	Paper Bag (for dry vacuuming)
17	Crevice nozzle specially designed for cleaning cervices and edges
18	Blow connector (for blowing function)
19	Outlet Discharge Bag

Thank you for purchasing this multi-purpose vacuum cleaner, a high-quality product based on the newest state-of-the-art technology. The vacuum cleaner is suitable for use in garden ponds, but can also be used as a wet and dry vacuum cleaner around the home and garden. It is not suitable for professional use, or for emptying ponds, pools and other containers. Please read the following instructions carefully and thoroughly. **Failure to comply with these requirements could cause serious injury and may result in product damage or failure.**



Important!

1. Safety Warnings

- The power supply must correspond to the product specification. If necessary, ask for information from your local electricity supplier regarding connection regulations. Do not connect the device if these do not meet the mentioned regulations (the voltage specification must match the operating voltage).
- The device must be connected to a 30mA RCD (Residual Current Device) for prevent the possibility of electric shock and to comply with Europe safety standards. Further information is available from your local electricity specialist.
- The device must be fully assembled before use.
- Packing parts may be dangerous (eg. plastic bags). Therefore, store away from children, domestic animals and anyone incapable of understanding the dangers. This device is not a toy.
- When cleaning a pond, the device should be positioned with a clearance of 2 meters from the water's edge.
- Never leave the device unattended.
- Never carry or pull the device by the power cable.
- Do not pull the device behind you by the hose during operation.
- Do not cut off the plug and do not shorten the cable. Your guarantee becomes invalid if this is not observed.
- When using outdoors, ensure that the plug and socket are completely dry.
- Never touch the plug with wet hands.
- When the device is switched on, do not hold the suction nozzle close to sensitive body parts like eyes, ears or mouth.
- Before emptying the vessel, switch off the device and remove the plug from the RCD.
- Always switch off the vacuum cleaner and pull out the plug before cleaning the device. Do not immerse the motor head (1) into water for cleaning purposes or clean with a water jet.
- This device is suitable for sucking water with a maximum temperature of 35 degrees.
- Replacement of the electric cable is not possible. The device must not be operated in the case of a defective electric cable or housing.

- Do not suck up flammable, explosive, poisonous or health hazardous materials with the device.
- We take no responsibility for any damage to persons and objects, caused by incorrect use of the device or by not observing these operating instructions.

2. Prior to 1st Time Use

- Please read the operating instruction thoroughly.
- Remove all the accessories and packages from the box and inside the main body collection tank (8).
- Check before and after use that the switch is in OFF (0) position.
- Always use the device with the correct filter insert suitable for the relevant application, i.e. filter sponge (13) for wet usage, paper bag (16) for dry usage.
- Attach the 4 wheel holders (14) onto the 4 location points on the base of the main body collection tank (8) by pushing down and fix by 4 screws supplied. The slots on the wheel holders can be used to hold the tools.

3. Motor switch /operating mode

Switch position 0	Motor off
Switch position I indoor	Manual operation (ON/OFF) for wet/dry vacuuming operation
Switch position II pond	Automatic operation for pond and cleaning a) After switching on, the motor will suck for 30 seconds. b) Motor stops after approximately 30 seconds to drain. c) Auto Start after 30seconds. d) Repetition (a) and (b) to OFF (0)

4. Pond Cleaning

Please proceed as follows when using the device for pond cleaning:

- Position the device at a safety clearance of 2 meters away from the water's edge.
- Attach the dark blue porous bag (4) to the hose inlet inside vac chamber.
- Screw the discharge hose (3) clockwise securely onto the water discharge hole on the base of the collection tank (8). Attach the dirt collecting bag (19) to the end of the discharge hose and place in such a way that the water can easily flow down a drain or to a suitable location in the garden (there should be a **black rubber flap** visible on this 'waste end'). Coarse dirt will be collected in the dirt collection bag (19). Depending on the degree of dirt, the dirt collecting bag (19) should be emptied at regular intervals whilst cleaning the pond, and emptied and cleaned at the end of each use.
- Open the two locking clips (6) on the side of the collection tank (8) and remove the motor head (1). Fit the filter sponge (13) over the motor head (1). Tighten the cord around the motor head. Place the motor head back onto the collection tank, ensuring the locking clips are relocated back into the corresponding indents on the collection tank, with the electrical cable positioned on the opposite side to the suction hose plug-in connector

hole (7).

- Push the plug-in connector on the suction hose (9) into the connection hole (7) on the top of the collection tank and lock the connection by a half turn to the right.
- Connect the required number of suction tube extensions (10) to the suction hose (9) and attach the suction nozzle (12) to the end of the suction tube extensions (10).
- Once the above has been completed, plug the device into the RCD. Place the lance into the part of the pond to be cleaned. To start the motor, push the switch (2) to position II pond AUTOMATIC.
- After a working interval of approximately 30 seconds, the motor switches off for approximately 30 seconds in order for the water to drain out of the collection tank (8). During this time, you can reposition your lance in a different part of the pond which requires cleaning.
- The device will operate on this cycle until switched to the OFF position (0). Always remove the plug from the RCD when the device is not in use.
- Dirt and water should be thoroughly removed from the collection tank (8) at the end of each use.

5. Indoor Wet & Dry Cleaning

Please proceed as follows when using the device for indoor wet and dry cleaning:

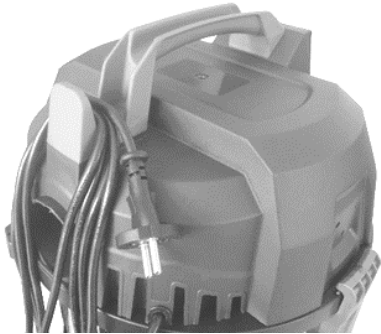
- Screw the drain hole cap (5) securely to the base of the collection tank over the water discharge hole (8). This will create a vacuum inside the collection tank.
- **For wet vacuuming**, open the two locking clips (6) on the side of the collection tank (8) and remove the motor head (1). Fit the filter sponge (13) over the motor head (1). Tighten the cord around the motor head. Place the motor head back onto the collection tank, ensuring the locking clips are relocated back into the corresponding indents on the collection tank, with the electrical cable positioned on the opposite side to the suction hose plug-in connector hole (7).
- **For dry vacuuming**, open the two locking clips (6) on the side of the collection tank (8) and remove the motor head (1). Attach the paper bag (16) to the inside of the collection chamber over the hose plug-in connector hole ensuring that the rubber seal on the paper bag fits over the indent on the plug-in connector hole. Place the motor head back onto the collection tank, ensuring the locking clips are relocated back into the corresponding indents on the collection tank, with the electrical cable positioned on the opposite side to the suction hose plug-in connector hole (7).
- Once the above has been completed, plug the device into the RCD. To turn on, push the switch (2) to I indoor MANUAL. In this position, the device operates continuously.
- Switch off the device after use by pushing the switch to the OFF position (0).

6. Blowing

Connect the suction hose (9) to the blow connector (18) on the vacuum.

7. Cable storage

The power cable can be wound up onto the hook on the lid of the vac as shown below.



8. Maintenance and cleaning



Important!

Always ensure that the device is unplugged from the RCD before attempting any maintenance or cleaning.

- The vacuum cleaner requires little maintenance other than cleaning.
- Thoroughly clean the collection tank (8), dark blue porous 'leaf collector' bag (4) and dirt collecting bag (19) with water and mild household detergent.
- Check suction hose (9), suction tube extensions (10) and drain hose (3) occasionally for possible blocking or dirt residues and clean when necessary.
- Carefully wash the filter sponge for the motor (13) with water and mild household detergent. Dry for storage.
- When storing, ensure all parts are completely dry and store in a dry, frost-free area which is inaccessible to children.

9. GUARANTEE

This product is guaranteed for a period of 24 months from the date of purchase for material or manufacturing defects. The guarantee covers the substitution of defective parts. However, the guarantee is considered null and void in the case of improper use, improper handling or negligence on the part of the buyer. If your pondXpert vacuum fails please take it back to the retail outlet from where it was purchased. You will be required to take your receipt/proof of purchase with you. This does not affect your statutory rights.

10. Correct Disposal of this product



Your appliance contains valuable materials which can be recovered or recycled.
Leave it at a local civic waste collection point.

PondXpert
A3 Bentley Avenue
Billingham
TS23 4BU
UK
01642 370898
www.pondxpert.co.uk