

GEBRUIKSAANWIJZING CLEAR CONTROL

GEBRAUCHSANWEISUNG CLEAR CONTROL

MODE D'EMPLOI DU CLEAR CONTROL

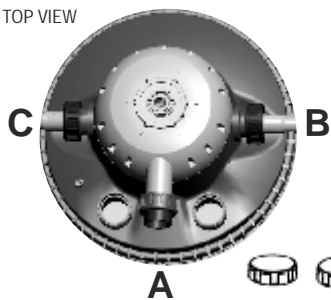
USER INSTRUCTIONS CLEAR CONTROL

CLEAR CONTROL



velda
brings life to your pond

TOP VIEW



A

C

B



5

EXPLODED VIEW

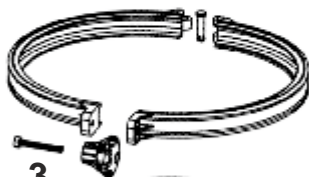
7



6

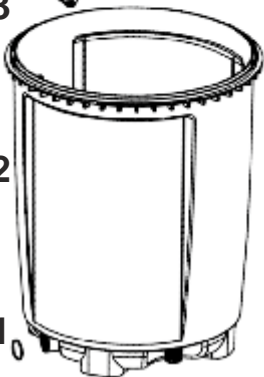


4

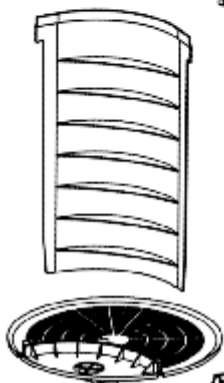


3

2



1



0

GARANTIE

Ce Filtre à pression bénéficie de la garantie Velda pendant 24 mois. Cette garantie ne couvre pas l'anneau d'étanchéité, le collier de serrage, les raccords rapide et les masses filtrantes. Le bénéfice de la garantie se perd irrémédiablement en cas d'utilisation du filtre en présence d'huile, d'essence ou de lubrifiants. La garantie ne couvre pas les dommages (déchirures, bris et autres détériorations) causés par le gel. La garantie ne couvre pas les détériorations ou dommages résultant d'un mauvais emploi du levier de commande. Toute demande visant à faire jouer la garantie doit être accompagnée d'un bon d'achat daté. Voir les conditions sur la carte de garantie ci-joint et visitez à www.velda.com/service pour la procédure de garantie.

GB INSTRUCTIONS FOR CLEAR CONTROL PRESSURE FILTER - new generation

THE VELDA CLEAR CONTROL PRESSURE FILTER

This pressure filter is an ideal and trouble-free filter system for your pond. It has several advantages compared to different filter systems. The capacity of the active contents and consequently the sanitizing power of the filter is larger than that of the usual types of filter. The biological function of the system is quite active, owing to the decomposition of floating dirt, the system is an excellent medium for the growth of bacteria. Because of the materials used, the filter is able to withstand a high amount of pressure (up to 1,5 bar). For this reason, it can be used for a waterfall.

The filter can be simply connected. There are 4 types of pressure filters to be had:

- Clear Control 25 net filter content of ca. 25 l suitable for ponds of up to 10,000 l
- Clear Control 50 net filter content of ca. 50 l suitable for ponds of up to 20,000 l
- Clear Control 75 net filter content of ca. 75 l suitable for ponds of up to 30,000 l
- Clear Control 100 net filter content of ca. 135 l suitable for ponds of up to 60,000 l

Except for the content the filters are equal.

INSTALLATION

The Clear Control 25, 50 and 75 are supplied complete with lava stone, high active filter carbon and japanese matting. The Clear Control 100 is equipped with a cassette filled with zeolite filter material. Carefully rinse the filter materials prior to use. In the small compartment a UV-C Unit and/or Pond Heater can be mounted (no filter materials). Place the cover in the right position on the filter, taking care that the rubber ring (4) has been fitted into the corresponding groove and close the filter, using the fastening clamp and bolt (3). If the filter has been mounted correctly, it will be water tight up to a pressure of work of over 1,5 bar. The filter is only intended for use as filter medium of the pond. The filter is not usable for the filtering of water warmer than 40°C. Also, the filter cannot be used in combination with oil, petrol, or lubricants. The filter is not frost proof. Switch off the filter in the winter period and make the filter winter ready. If you want to use the filter in the winter then the installation of a Pond Heater is necessary (see further in the instructions).


CONNECTING THE PUMP

The filter has 3 connections: the pump inlet (A), the connection to the pond (B) and a connection for rinsing and emptying the pond (C). Connect the pump to the filter with a flexible reinforced hose and fasten the hose with a locking clamp. Please bear in mind that the pump may have a pressure of max. 1,5 bar, being similar to an elevating height of 10 m. The recommended pumps are:

- Clear Control 25 High-Stream 4500 / Eco-Stream 4000
- Clear Control 50 High-Stream 6000 or 8000 / Eco-Stream 6000 or 8000
- Clear Control 75 High-Stream 8000 or 12000 / Eco-Stream 8000 or 10000
- Clear Control 100 High-Stream 12000, 15000 or 20000 / Eco-Stream 10000 or 12000

The hose swivels have quick release couplings which facilitate the mounting of hoses. The Clear Control 100 can also be used in combination with 50 mm PVC connections. Once the filter has been connected and closed, it is ready for use.

THE 7 POSITION TAP

 *Attention: To avoid damage to the cover don't lift the filter by the handle when you are moving it. To avoid leakage to the tap mechanism turn off the pump when changing the position of the tap. When using the 7 position tap, first push the handle down. Subsequently it can be put in the right position.*

The 7 position tap (7) allows the following flow directions:

- Position 1: *back wash*. This position is used to wash away the dirt under the grate. This can be necessary if coarse particles of dirt have accumulated under the grate, as a result of which the capacity will be reduced (see dirt indicator). The water is now flowing from top to bottom, which enables the dirt to be washed away. If you want to achieve this, you have to remove the screw cap (1) and a hose should be connected to the waste outflow (C). The filter materials can not be cleaned in this way. They will have to be rinsed and cleaned by hand.
- Position 2: *rinse*. This position is used after back wash position to wash away the dirt in the valve. This can be necessary if coarse particles of dirt have accumulated in the valve, as a result of which the capacity will be reduced. To this end you should connect a hose to the waste outflow (C).
- Position 3: *bypass*. This is the medication position. In this case, the water is not flowing through the filter material, thus the medicine stays in the water. However, after the medication period the filter material has to be rinsed.
- Position 4: *filtration*. The water flows through the preliminary compartment to the bottom grate and through the filter materials to the outflow (B).
- Position 5: *stop*. The filter does not allow water to pass through (first switch off the pump). This position is used when cleaning the pond pump, the while the filter continues to be full of water. After cleaning the pump, the valve is put in the filtration position again.
- Position 6: *pond drain*. This position is used to empty the pond, should the need arise. To this end you should connect a hose to the waste outflow (C).
- Position 7: *winter*. In this position the valve mechanism will be released from pressure when the filter is not in use. This position is used by secure storage of the filter, for example in winter.

MAINTENANCE

By using the back flush position, the maintenance of the filter is quite simple. To this end, you should connect a fitting hose to the exhaust (C), the end being kept outside the pond. In general it will be enough if the filter material will be rinsed a number of times during the season. This has to be done by hand, because the filter material will not be cleaned in the back flush position. Only the dirt on the bottom of the filter will be washed away then. You are advised to renew the active carbon once or twice a year. You should do this at any rate at the beginning of the new pond season. If, due to certain circumstances, the water supply to the filter has not taken place during 4 hours or more, the filter material should be rinsed first, before filtration will be resumed. This is to prevent that, owing to lack of oxygen, killed micro-organisms will be rinsed into the pond. If the filter is completely clogged, loosen the screw cap (1) under the filter, then the mud will pour out.

DIRT INDICATOR

The dirt indicator (6) on top of the cover indicates the extent of contamination in the filter materials and thus the flow rate of the filter. By increasing pollution in the filter the indicator will move from green through orange to red.

- Green: no pollution, optimum flow rate
- Orange: increasing pollution, limited flow rate
- Red: heavy pollution, impeded flow rate

OPTION: UV-C UNIT

A special feature of this filter is the option to install 1 or 2 UV-C Units. Velda supplies suitable UV-C Units of 9 Watt for the Clear Control 25, of 18 Watt for the Clear Control 50 and of 36 Watt for the Clear Control 75 and Clear Control 100. These units can be easily mounted in place of the screw caps (5). The advantages of UV-C are that it makes green water clear and it is an excellent agent to fight bacterial infections. The Velda Clear Control pressure filters have a separate compartment, preventing the UV-C radiation from touching any of the filter materials. In this way the micro-organisms in the filter material will not get damaged.

OPTION: HEATING

Besides the UV-C Unit a heating element can be mounted in the filter. This option is unique. By removing the screw cap (5) the heating element can be simply fitted into the filter. Application of a heating element has 3 advantages:

1. The warmer water will activate the development of micro-organisms in the filter material and consequently the decomposition of organic components will increase.
2. The filter can also be used during the winter months (up to a temperature of -10°C).
3. If the outflow hose of the filter will be placed near the surface of the pond water, the pond water will not freeze (up to a temperature of -10°C).

GENERAL INFORMATION

Clear water is the basis for the biological equilibrium in a garden pond. The most important factor for the pond environment is the water, the composition of which is of direct influence on the growth of the water plants, the development of the micro-organisms and the condition of the fish. The water therefore should contain all ele-

ments that are necessary for the biological and chemical processes in the pond environment. If all values are correct and the micro-organisms function well, it can be said that there is a biological equilibrium. For many ponds, filter equipment is an essential tool, because often too many fish are kept in proportion to the quantity of pond water. In a garden pond a fish has far less water at its disposal than in the wild and the natural equilibrium will be attacked more quickly by the many excrements that are produced by the fish. This is certainly the case with Koi. Filters serve two important functions: the water is kept clear by filtration and circulation creates a sufficient amount of oxygen. The filter can be used for both mechanical and biological purposes to filter the water. Below a short description will be given of both methods.

MECHANICAL ACTION

The action of a mechanical filter is based on the removal of organic and inorganic dirt particles and, if necessary, the removal of colourings, depending on the filter material. In order to prevent the filter material from getting silted up, it should be rinsed regularly. Normally this is an annoying job, but it can easily be done when using the Velda Clear Control pressure filter.

BIOLOGICAL ACTION

A basic assumption of a biologically functioning filter is to obtain a better and quicker conversion of organic components by means of micro-organisms. An integrated biological filter benefits the general activity of the micro-organisms and consequently stimulates the growth of the water plants. It is advisable to use a biofilter when stagnating plant growth, excessive growth of algae or a too large fish stock in proportion to the quantity of water, are at stake. Initially the filtration will be exclusively mechanical, however, with the lapse of time, the materials will become biologically active. You can stimulate the biological action of your pond by inoculating the filter substrates with a special culture, like Bacterial Filterstart

GUARANTEE

Except for the rubber ring, fastening clamp, hose swivels and filter materials, this Clear Control pressure filter is guaranteed by Velda for a period of 24 months. In case of wrong assembly, injudicious use (of the 7 position valve), damage due to frost or bad maintenance, the guarantee will cease. This also applies in case of use of the filter in combination with oil, petrol or lubricants. If a claim to guarantee can be laid, a dated receipt should be presented. See the terms on the enclosed guarantee card and visit www.velda.com/service for the warranty procedure.



BODEM
BODEN
LE FOND
BOTTOM

WATERPLANTEN
WASSERPFLANZEN
LES PLANTES
WATER PLANTS



WATER
WASSER
L'EAU
WATER

ALGEN
ALGEN
LES ALGUES
ALGAE



FILTRATIE
FILTRATION
LA FILTRATION
FILTRATION

VISSEN
FISCHE
LES POISSONS
FISH



BELUCHTING
BELÜFTUNG
L'AÉRATION
AERATION

DIVERSEN
DIVERSES
PRODUITS DIVERS
MISCELLANEOUS



GEB126310043

velda

brings life to your pond

Design, Research & Development
Velda® The Netherlands

www.velda.com info@velda.com