

EAZYPOD310717MAN

**UK**  
English

EVOLUTION  
**AQUA**  
INNOVATION IN WATER

# eazypod™

**INSTALLATION AND INSTRUCTION MANUAL**



**IMPORTANT PLEASE READ:**

**Please read this instruction manual carefully before  
installing your EazyPod**



# INTRODUCING THE EAZYPOD

Please read this instruction manual carefully from start to finish before attempting to install your EazyPod on Pump-Fed or Gravity-Fed installations.

EazyPod Air models follow the same instructions but are supplied with a 70 litre per minute Air Pump Kit.



## CONTENTS

Parts list	PAGE 04
Dimensions	PAGE 05
How the EazyPod works	PAGE 06
Specifications and flow rates	PAGE 07
Installation considerations	PAGE 08
Setting up the EazyPod for PUMP-FED installs	PAGE 09
Setting up the EazyPod for GRAVITY-FED installs	PAGE 13
Air Pump installation	PAGE 18
Operating the EazyPod	PAGE 19
Cleaning a Pump-Fed EazyPod	PAGE 20
Cleaning a Gravity-Fed EazyPod	PAGE 21
Troubleshooting	PAGE 22
Warranty	PAGE 23

# EAZYPOD PARTS

Your EazyPod / EazyPod Air comes complete with the following items:



**EAZYPOD AND LID**



**2 x 1½" HOSETAIL AND O-RING**  
(For inlet and for waste slide valve)



**4 TO 3 INCH EAZYCONNECTOR**  
(For outlet)



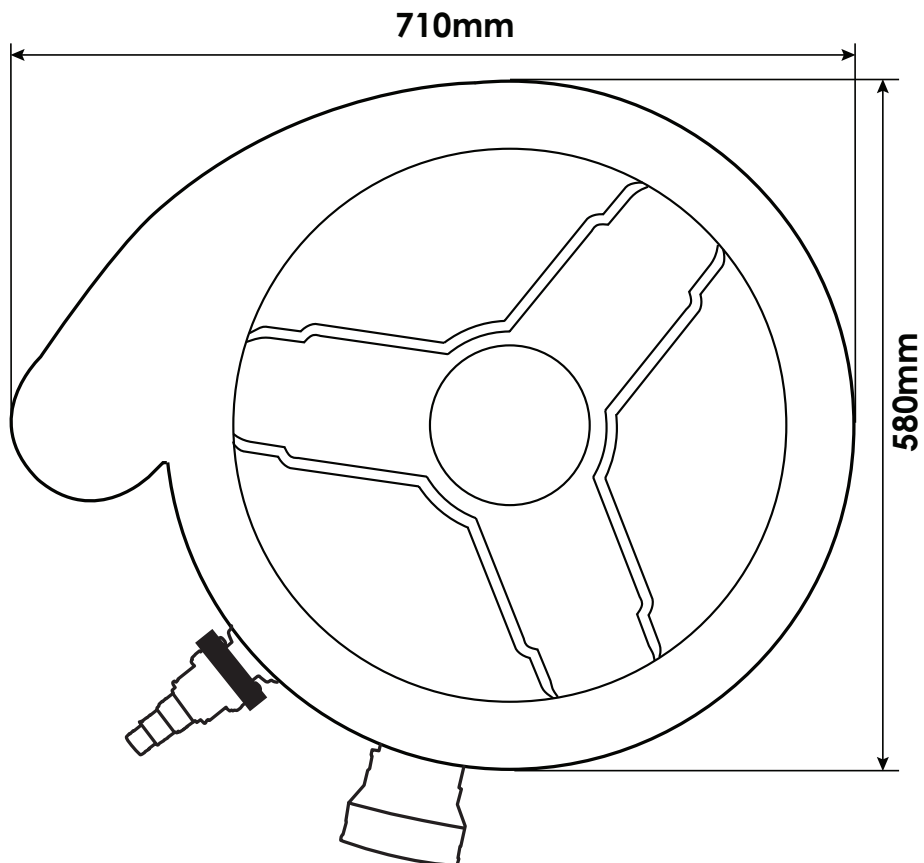
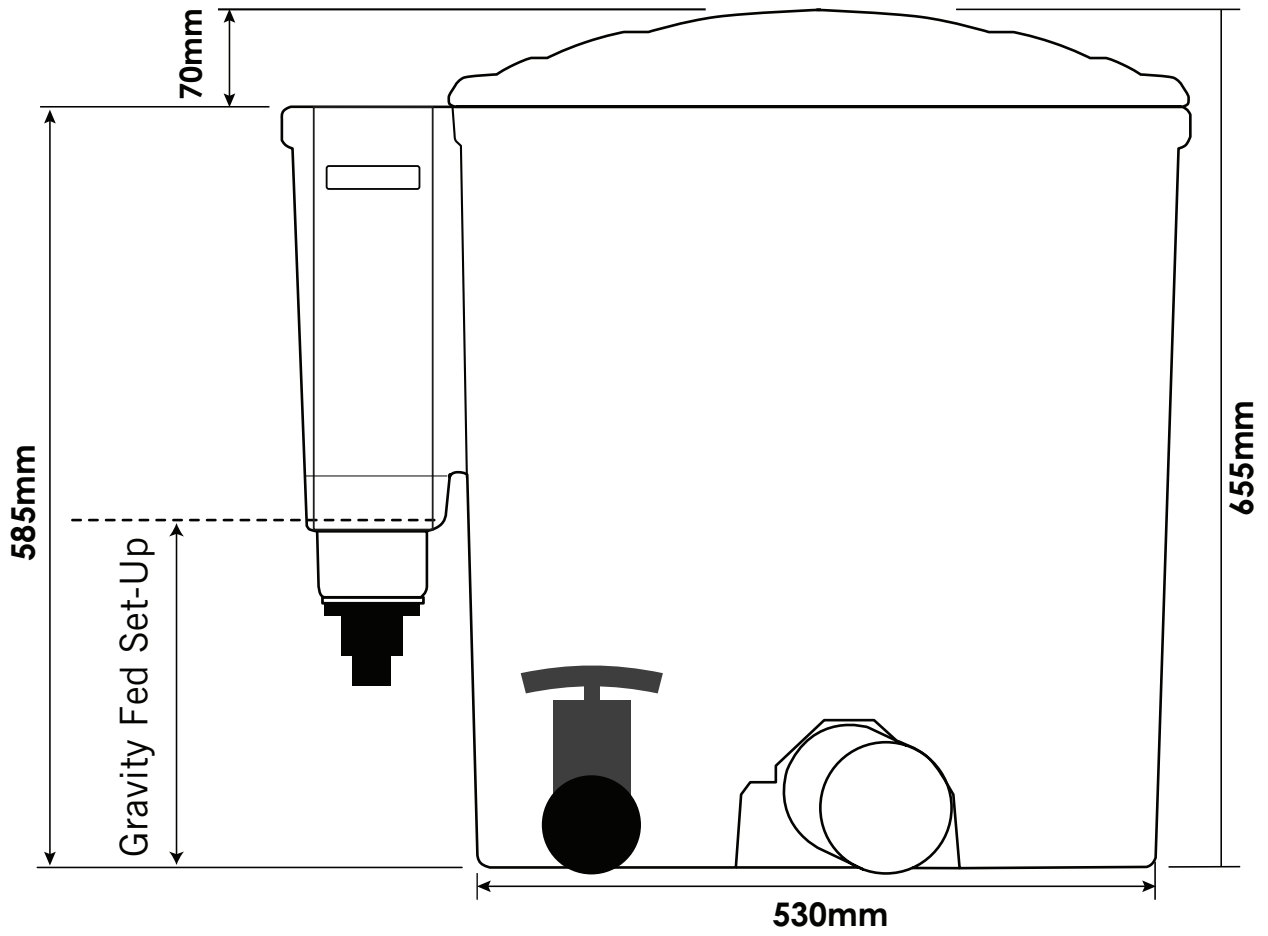
**K1 MICRO FILTER MEDIA**  
(18 Litres)

## EAZYPOD AIR MODELS ALSO INCLUDE:

- Air Pump 70
- 10m roll of silicone air line
- 4 port chrome manifold
- Airstone
- Rubber Elbow
- 2cm silicone tubing
- 10cm Airline (12mm)
- 12mm Tee
- 80cm Airline (12mm)



# DIMENSIONS



# HOW THE EAZYPOD WORKS

The concept is simple and yet innovative. Water enters via the inlet **A** and enters the outer chamber **B**, which runs around the entire circumference of the EazyPod. Between **B** and the central chamber **C**, is a stainless steel perforated screen. These perforations are situated in the lower half of the screen and around its entire face. This means that when the water passes from the outer to inner chamber (**B** to **C**), a downward flow is created. This causes many of the larger solids to settle in the base of the outer chamber, due to the force of gravity.

The size of the perforations will not allow large mechanical waste to enter the central chamber, thus acting as a first stage mechanical filter. The central chamber holds **18 litres** of static K1 Micro. As the water enters the central chamber, the fine smaller solids become entrapped in the K1 Micro. After passing through the K1 Micro, the clean water then rises and overflows into the inner return pipe **D** of the EazyPod. From here it returns to the pond via the return outlet **E**.

The EazyPod filtration system gives water quality and clarity that surpasses all expectations. The nature and volume of the K1 Micro means, that when static, apart from being a very efficient mechanical filter, there is more than enough surface area for beneficial bacteria to colonise. Therefore on a smaller pond, the Pod is an excellent complete filter.

**PLEASE NOTE** that in normal running, the K1 Micro has to be static – it is only moved during cleaning and maintenance. If the K1 Micro is moved in normal operation, whether by air or by hand, all of the debris it has collected will be returned to the pond! The K1 Micro is cleaned and moved by connecting an air pump to the air line in the EazyPod, which in turn goes to an air ring in the base of chamber **C**. This has small holes which cause the K1 Micro to move and therefore clean itself.

During the cleaning cycle, the finer particles escape into chamber **B** from the K1 Micro. This waste water can then be dumped via a 1.5 inch / 50mm slide valve **F**.

Please check the table opposite to make sure you run your EazyPod within the specified limits to achieve best results.



# EAZYPOD SPECIFICATIONS AND FLOW RATES

The EazyPod is truly multi-functional. It can be run in several different ways for different applications.

## The EazyPod can be used:

- as a complete filter on a quarantine system
- as a pre-filter at the front of any new or existing system
- as a polisher at the end of any system
- off a mid water feed to aid mechanical filtration
- on a skimmer line as a mechanical filter

**Remember** that if you use the Pod solely as a mechanical filter, you will also get an enhanced biological benefit in your system.

## EazyPod Specifications and Flow Rates

Follow this manual carefully and your filter will provide a perfect environment for your fish. One of the factors that can have a significant influence on our ponds is the **turn over** rate. This is the time that it takes for the total water volume of the pond to pass through the filter system once. On EazyPod ponds, where it is used as the only filtration system, a total pond volume turn over of every 1 to 2 hours is required.

Therefore if you have a 10,000 litre Koi pond, a minimum rate of 5,000 litres per hour is needed giving a 2 hour turnover, although you could also run at 10,000 litres per hour giving a turnover rate of once per hour.

On an ornamental pond of 20,000 litres, 10,000 litres per hour is the maximum flow rate and is ideal for that size and type of pond. The lower the flow rate you use, the better the performance will be - as long as it **does not** result in a turn over rate of more than two hours.

<b>Max flow rate:</b>	10,000 litres/hr	2,200 UK gallons/hr	2,640 US gallons/hr
<b>Max Koi pond size:</b>	10,000 litres	2,200 UK gallons	2,666 US gallons
<b>Max ornamental pond size (goldfish, shubumkins etc):</b>	20,000 litres	4,400 UK gallons	5,333 US gallons
<b>K1 Micro</b>	18 litres		
<b>Max feed rate</b>	100 - 120g per day		
<b>Recommended Air Pump</b>	EA Air Pump 70 or EA Air Pump 75		

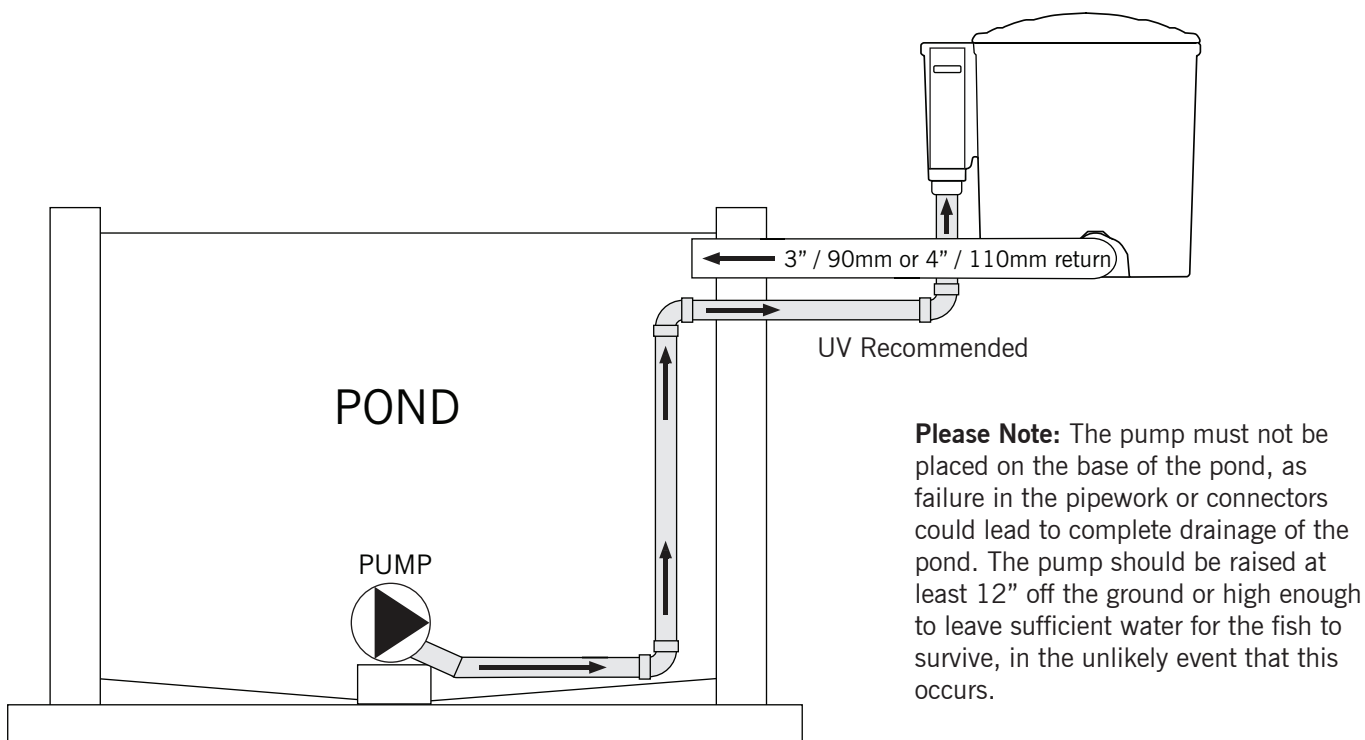


# INSTALLATION CONSIDERATIONS

**PLEASE NOTE:** EazyPod is supplied ready to be used on a **PUMP-FED SET-UP ONLY**. To use the EazyPod on **GRAVITY FED SET-UPS** you need to make some modifications to the EazyPod as outlined later in this manual.

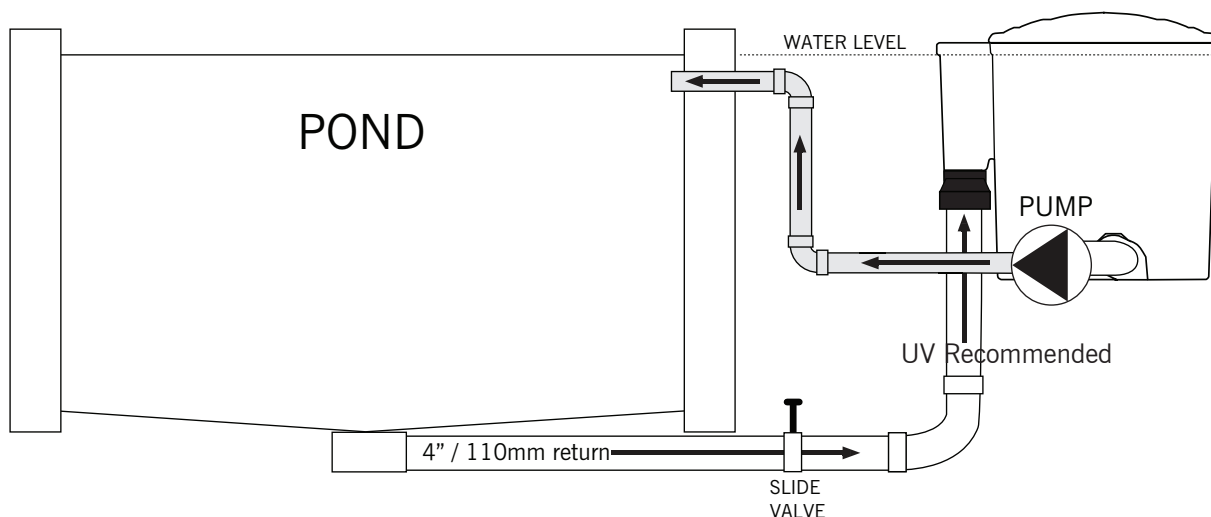
## PUMP-FED SET-UP

If you require a set-up where the pump is situated in the pond supplying water to the EazyPod which is situated above the water level, you will be installing the filter on a **PUMP-FED SET-UP**. Follow the instructions on pages 9 to 12 for the pump-fed installation instructions.



## GRAVITY FED SET-UP

If you require a set-up where the pond has a bottom drain supplying water to the EazyPod and a pump returns water back to the pond, you will be installing the filter on a **GRAVITY-FED SET-UP**. Follow the instructions on pages 13 to 17 for the gravity-fed installation and cleaning instructions.





## **PUMP-FED SET-UP AND INSTALLATION INSTRUCTIONS**

# SETTING UP THE EAZYPOD FOR PUMP-FED INSTALLS

To set up your EazyPod ready for use, follow these simple steps:

## FIT THE INLET HOSETAIL



**STEP 1:** Fit O-Ring on the hosetail thread of the inlet hosetail.



**STEP 2:** Screw the hosetail into the inlet thread.



**STEP 3:** Ensure the hosetail is hand tightened until the rubber O-ring seals on the inlet face. (DO NOT OVERTIGHTEN)

## FIT THE EAZY CONNECTOR ON THE OUTLET PIPE

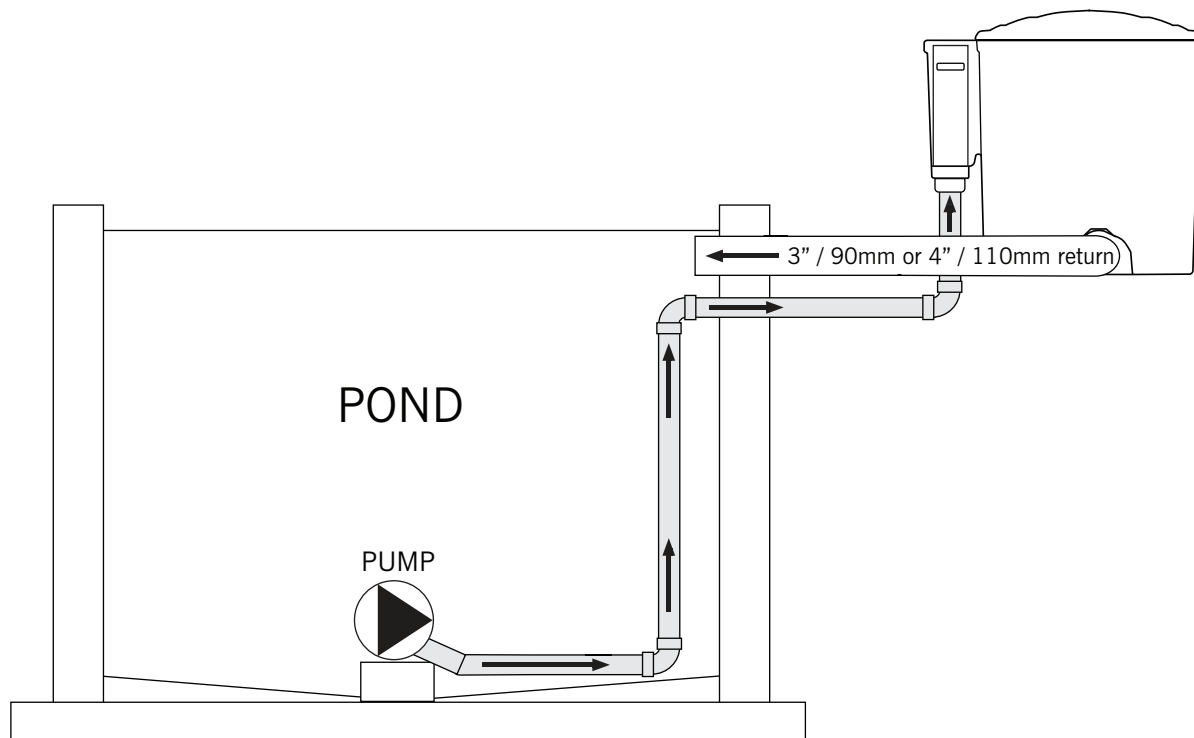
Fit the 4"-3" EazyConnector onto the outlet pipe and tighten the jubilee clip with a flat head screwdriver.



# PUMP-FED INSTALLATION

**PLEASE NOTE:** EazyPod is supplied ready to be used on a **PUMP-FED SET-UP ONLY**. To use the EazyPod on Gravity Fed set-ups you need to make some modifications to the EazyPod as outlined later in this manual.

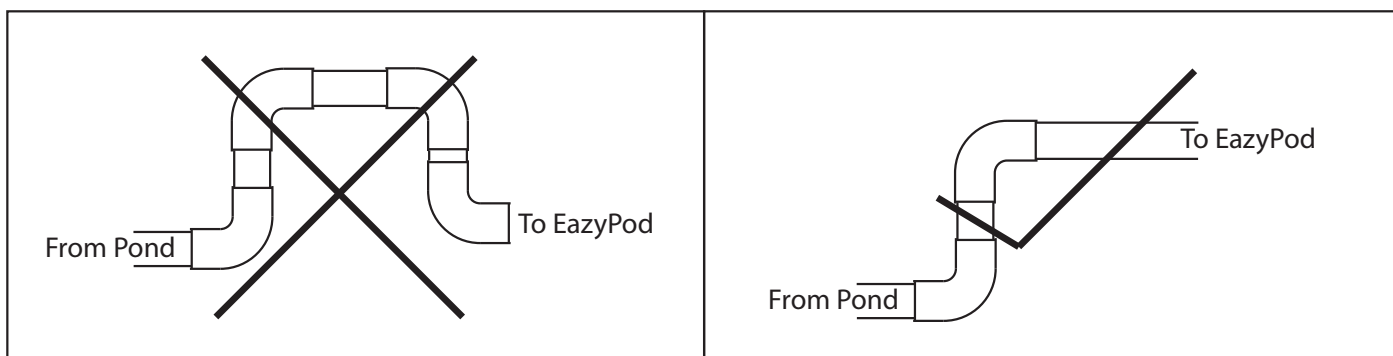
The diagram below shows the EazyPod on a typical Pump-Fed set-up. A Pump-Fed set-up is when water is pumped from the pond to the filter.



**PLEASE NOTE:** The pump must not be placed on the base of the pond, as failure in the pipework or connectors could lead to complete drainage of the pond. The pump should be raised at least 12" off the ground or high enough to leave sufficient water for the fish to survive, in the unlikely event that this occurs.

**IMPORTANT:** A solid, level base is required for the EazyPod. It should be a minimum of 600mm x 600mm, to allow easy access to your valves and for maintenance purposes.

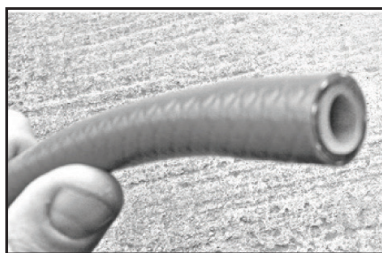
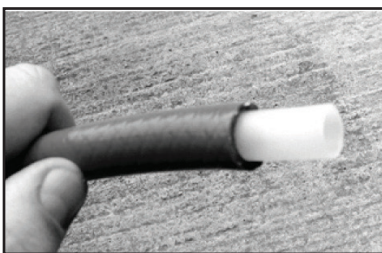
The EazyPod filter needs to be supported evenly on a level base (a paving flag is ideal). Failure to do so could cause damage when it is full of water.



# PUMP-FED INSTALLATION

## INSTALLATION EQUIPMENT

1. **Pond Pump.** Please ensure that the pump's maximum actual flow rate is no more than the specified limits (see page 7).
2. **Pipework** from the unit's waste valves to the intended discharge point.
2. **Air Pump** for cleaning the K1 Micro. An EA Air Pump 70 or 75 is recommended.
3. **A length of garden hose or braided pipe** (10 mm inner diameter) to connect your air pump to the air ring in the EazyPod.
4. **Tip:** When connecting to your air pump, cut an inch from the airline supplied on the EazyPod. Insert this into the hosepipe that connects to the air pump. This will help maintain the hosepipe's rigidity when inserting it into the rubber connector and clip supplied with your air pump.



5. **Pipework** from the unit's waste valves to the intended discharge point. This can be rigid pipework or a simple flexible hose of at least 1" diameter.

The EazyPod comes ready to be installed on a **PUMP-FED** set-up - no changes to any of the fittings are required.

The EazyPod should be situated at a height above the pond water level, to allow adequate gravity return to the pond (*subject to the maximum performance of your chosen pump*).

The gravity return pipework from the exit point of the EazyPod to the pond needs to be a minimum of 3 inches (90mm), 4" (110m) for flow rates over 7,500 litres per hour and should have no restrictions. Great care should be taken to ensure that no air locks are created within the gravity return pipework. The return pipe should have an "appropriate fall" from the EazyPod to the pond.

The pipework from the pond pump to the inlet of the EazyPod will need to be connected to the 1.5 inch (50mm) inlet hosetail (**K**). The 4 inch / 90-115 mm (minimum) gravity return pipework will need to be connected to the rubber adaptor (**I**) on the outlet point of the EazyPod.

This fitting when first connected to this pipe could appear too big (especially 90mm) or too large 4" (115mm) – it will however reduce/stretch with the clip provided and make a tight seal – this is done with a screwdriver. The return pipe is then extended and returned to the pond or waterfall as required.

It is important to be able to isolate the EazyPod for maintenance purposes. Therefore we recommend that you install an isolating valve (3" or 4" inch / 90-115 mm slide or ball valve) on your inlet gravity line before the EazyPod.

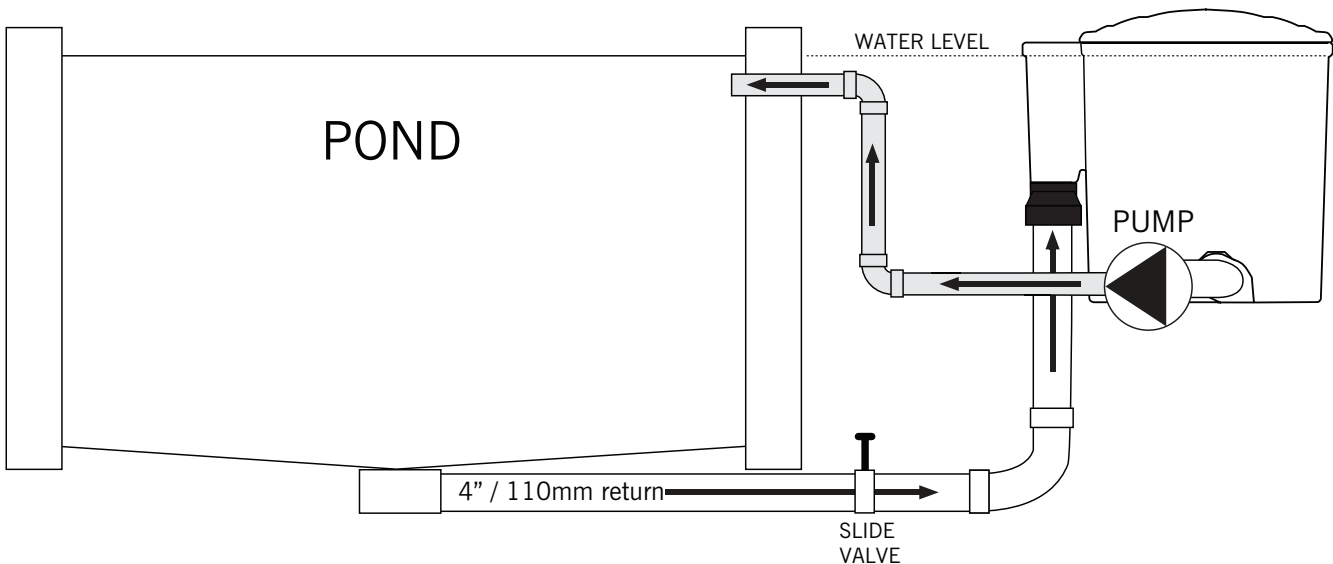
## **GRAVITY-FED INSTALLATION INSTRUCTIONS**

# SETTING UP THE EAZYPOD ON GRAVITY-FED INSTALLS

**PLEASE NOTE:** EazyPod is supplied ready to be used on a **PUMP-FED SET-UP ONLY**. To use the EazyPod on **GRAVITY FED SET-UPS** you need to make some modifications to the EazyPod as outlined over the following pages.

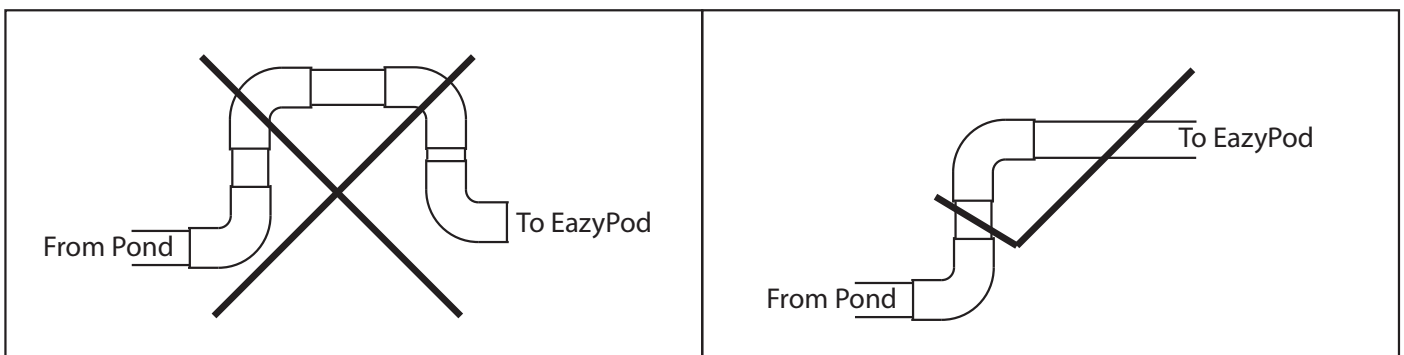
The EazyPod must be situated at pond water level. That is to say, that when the circulating pump is switched off, water is level with the overflow assembly. This level will lower when in operation.

The rubber connector on the outlet port must be swapped over so that on the inlet you will have the optional 3 or 4 inch (90-115mm) rubber connector to take your pipework from the pond and on the outlet you will have the 1.5 inch (50mm) connector for your return pressure line. The slide valve G can be used before your pump, to isolate it, if your pump has a 2½ inlet. The gravity pipework needs to be 4" (110mm) for flows over 7500 litres per hour.



**IMPORTANT:** A solid, level base is required for the EazyPod. It should be a minimum of 600mm x 600mm, to allow easy access to your valves and for maintenance purposes.

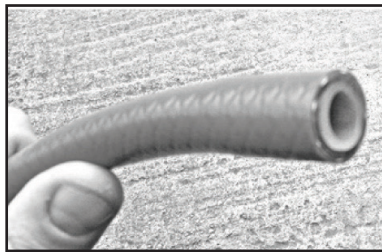
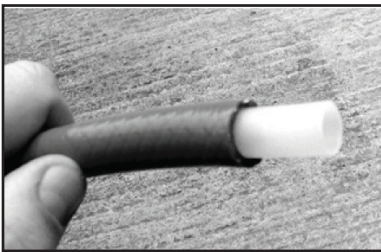
The EazyPod filter needs to be supported evenly on a level base (a paving flag is ideal). Failure to do so could cause damage when it is full of water.



# SETTING UP THE EAZYPOD ON GRAVITY-FED INSTALLS

## INSTALLATION EQUIPMENT

1. **Circulating Pump.** Please ensure that the pump's maximum actual flow rate is no more than the specified limits (see page 7).
2. **Pipework** from the unit's waste valves to the intended discharge point.
2. **Air Pump** for cleaning the K1 Micro. An EA Airpump 70 or 75 is recommended.
3. **A length of garden hose or braided pipe** (10 mm inner diameter) to connect your air pump to the air ring in the EazyPod.
4. **Tip:** When connecting to your air pump, cut an inch from the airline supplied on the EazyPod. Insert this into the hosepipe that connects to the air pump. This will help maintain the hosepipe's rigidity when inserting it into the rubber connector and clip supplied with your air pump.



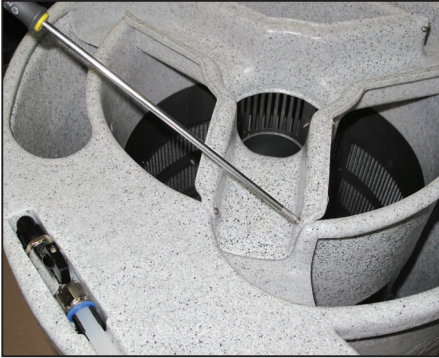
5. **Pipework** from the unit's waste valves to the intended discharge point. This can be rigid pipework or a simple flexible hose of at least 1" diameter.

It is important to be able to isolate the EazyPod for maintenance purposes. Therefore we recommend that you install an isolating valve (3" or 4" inch / 90-115 mm slide or ball valve) on your inlet line before the EazyPod.

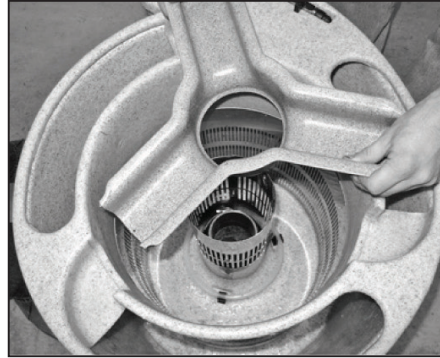


# SETTING UP THE EAZYPOD ON GRAVITY-FED INSTALLS

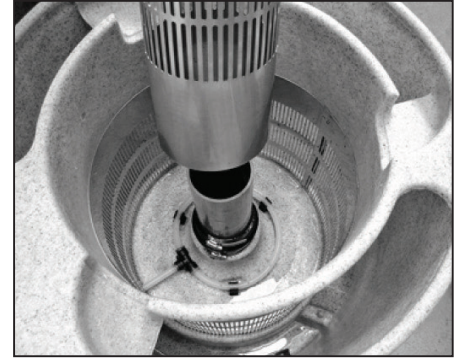
**IMPORTANT...**For gravity fed installations, you will need to reverse the exit pipe so that the return pipe is lower. This is because the exit pipe although crucial for a pump-fed system would impede a gravity unit when the media starts to filter out the debris altering the water level.



1. Remove the overflow assembly and safely store the 3 screws which secure it



2. Remove the stainless steel perforated centre pipe by pulling gently.



3. Loosen the upper clip on the rubber connector.



4. Invert the Pod and remove the 2 screws and plastic pipe support bracket.



5. Remove the 90mm return pipe assembly from the EazyPod body.



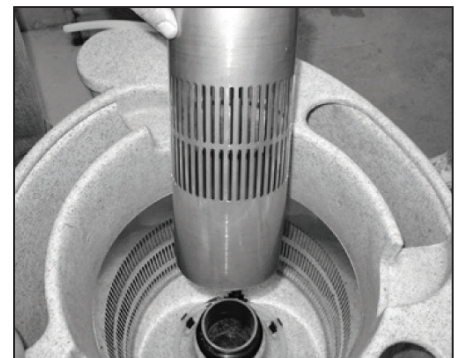
**NOTE:** The pipe assembly is comprised of 1 long length and 1 short length joined by a 90 bend.



6. Refit the pipe assembly by pushing the shorter end back into the EazyPod, so that the long length is now the exit.



7. Tighten up the rubber connector to form a water tight seal.

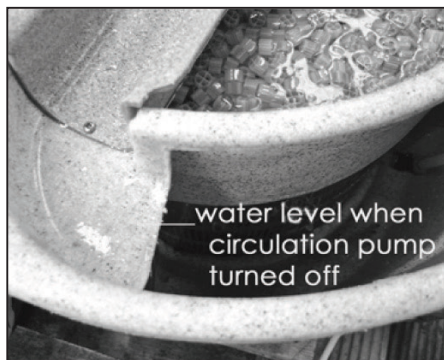


8. Refit the steel pipe with the perforations at the top, not at the bottom.



# SETTING UP THE EAZYPOD ON GRAVITY-FED INSTALLS

**IMPORTANT...** You will also need to remove the black inlet pipe that is located within the inlet section. This can only be removed by carefully sawing the inlet section at the measurements shown below. You may need to tap on the top of the EazyPod inlet to dislodge the black pipe. This black pipe must be kept safe as it will become your cleaning pipe.



9. Replace the overflow assembly and re-screw into the housing.



10. On the inlet, measure 20mm down from the shoulder of the inlet section.



11. Using a hacksaw, cut across the inlet at the measurement shown.



12. Inside the inlet, there is a black pipe which you should pull out of the inlet.

**NOTE: Keep this safe as it will be used as a cleaning pipe**



13. Fit the 4" to 3" EazyConnector onto the inlet you have just cut.



14. You will need to loosen the jubilee clip on the 3" side and slide this up to ensure a tight fit.



15. Tighten up the jubilee clip using a flat head screwdriver.



16. Take the black pipe you removed in step 12 in preparation for cutting a 100mm slit in it.



17. Use a saw to make a 100mm slit in the black pipe on one side of the pipe only. This is now your cleaning pipe.

# AIR PUMP INSTALLATION

## Air Pump Installation (Pump + Gravity Fed)

Now that you have your EazyPod installed, you will need to connect your air pump to the EazyPod for the cleaning cycle. This will agitate the K1 Micro so that the waste which has collected in the media can be removed from the system. We recommend an EA Airpump 70 or 75.

The air pump is connected to the air ring inlet using a garden hose or braided pipe (10 mm inner diameter). The air ring inlet is positioned on the outside of the EazyPod. It is recommended that the air pump is positioned higher than the water level in the EazyPod to prevent water flowing back into the air pump when it is switched off. However, the air valve should be in the off position, and the air pump switched off or in use elsewhere when not in the cleaning mode.



Air Valve On



Air Valve Off





# OPERATING THE EAZYPOD

## Getting Started

Completely empty your bag of K1 Micro into the inner chamber **C**. It is essential NEVER to remove or add any media other than the 18 Litres supplied. Cleaning and maintaining the EazyPod will depend on flow rate, feed, stocking, blanket weed etc. An EazyPod on a summer pond with heavy blanket weed will need more frequent maintenance than a pond in December with no food fed. Be aware that any movement of the EazyPod's K1 Micro whilst the pond pump is in operation will dislodge the waste collected and will be sent back to the pond and clarity will suffer. If this does happen, the EazyPod will eventually remove this waste again in time. The cleaning regimes for both pump and gravity installations are listed on pages 20 and 21.



**Please Note:** A pump-fed system will need cleaning when the water level in chamber **B/C** has risen and is close to the overflow assembly. A gravity fed system will need cleaning before the water level in chamber **B** has lowered by 4 inches / 100mm.

## System running and maintenance

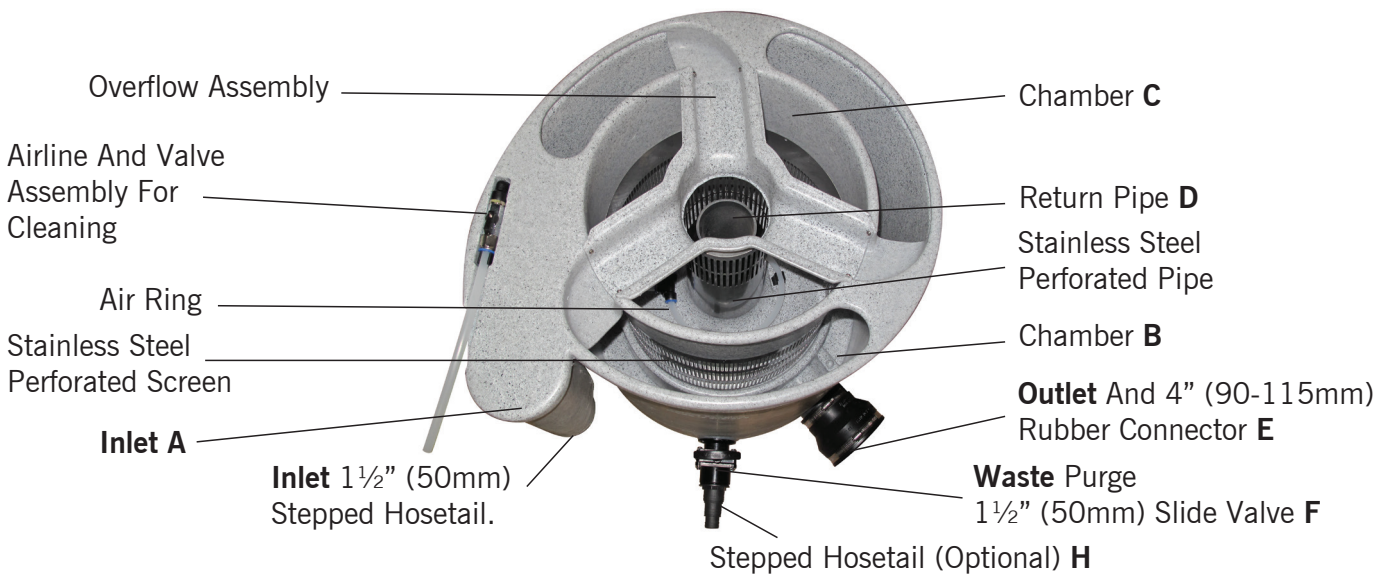
To achieve optimum water quality and clarity we recommend that the EazyPod be air backwashed and purged on a regular basis. The frequency of cleaning will depend on the loading of the pond. However, the filter must be cleaned regularly. In the event of a blockage, the circulation pump will become starved on a gravity system or the chamber will overflow on a pump-fed system. The overflow assembly is a built-in overflow. Should a blockage of the K1 Micro occur, water will bypass the stainless steel screen and return to the pond.

# CLEANING A PUMP-FED EAZYPOD

## Cleaning - Pump-fed Procedure

1. Switch off the water pump.
2. Wait until water has stopped flowing back to the pond.
3. Turn on your air pump and open the air valve on the EazyPod.  
In a few seconds the K1 Micro will start to 'agitate' and circulate, thereby self-cleaning.
4. After the K1 Micro has been aerated for a minimum of two minutes, open valve **F** and completely drain the EazyPod.
5. Once it is drained, close valve **F**.
6. Turn on your circulation pump to refill the EazyPod.
7. If you want to clean the EazyPod for a second time, repeat steps 1 to 6.

**PLEASE NOTE** 2 cleaning cycles will normally be needed to completely clean the K1 Micro. For a dirty pond, 3 may be necessary.

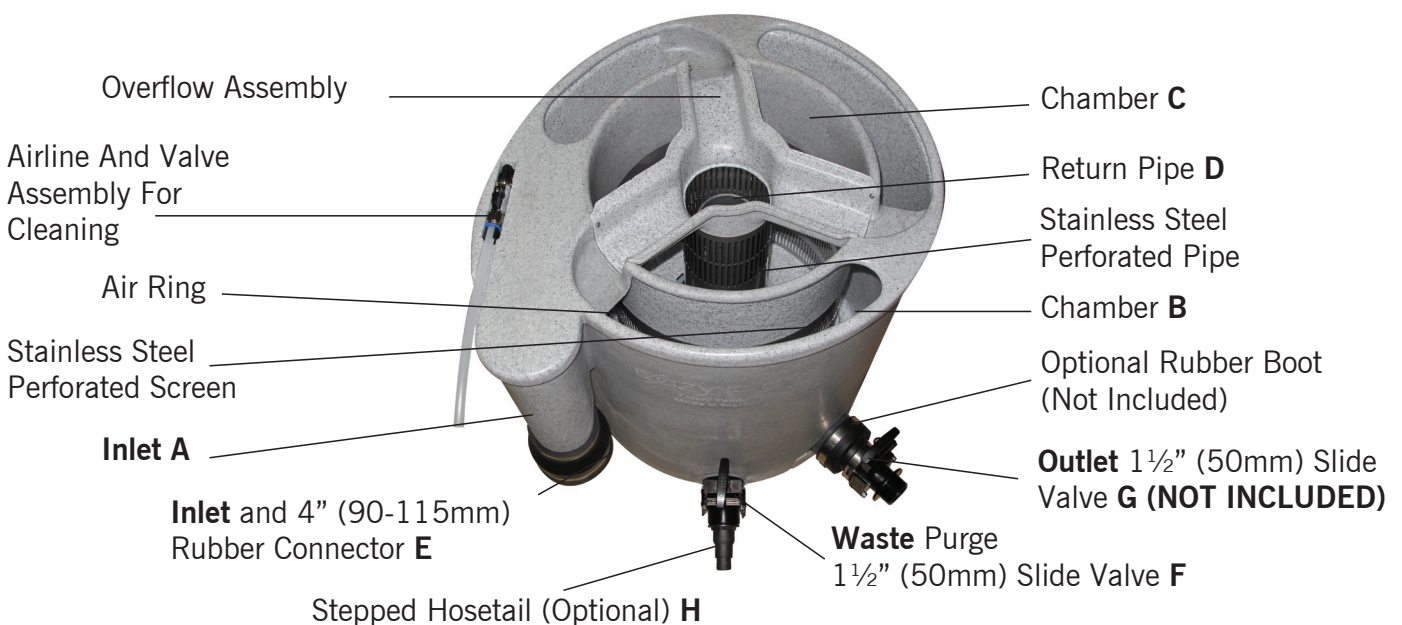


# CLEANING A GRAVITY-FED EAZYPOD

## Cleaning – Gravity Fed Procedure

1. Stop the circulation pump.
2. Wait a short period of time to allow the water levels within the EazyPod to stabilise.
3. Insert the cleaning pipe (*the black pipe you cut during set-up*) into the plastic return pipe **D**. This will prevent waste going back to the pond.
4. Isolate the pond from the EazyPod by closing the valve on the inlet line.
5. Close the slide valve **G** which you have fitted after your circulating pump.
6. Turn on your air pump and open the air valve on the EazyPod. In a few seconds the K1 Micro media will start to 'agitate' and circulate, thereby self cleaning.
7. After the K1 Micro has been aerated for a minimum of two minutes, open valve **F** to completely drain the EazyPod.
8. When drained close valve **F** and open your inlet valve to refill the EazyPod.
9. Allow the K1 Micro to agitate again for a minimum of two minutes.
10. Open valve **F** to drain again. If the water in the EazyPod is still not 100% clean, repeat the process.
11. Once the K1 Micro is clean, turn off your air pump or re-divert it and close the air valve on the EazyPod.
12. Remove the cleaning pipe.
13. Close valve **F**.
14. Open your inlet valve to refill the pod from the pond and start you circulation pump.

**PLEASE NOTE** 2 cleaning cycles will normally be needed to completely clean the K1 Micro. For a dirty pond, 3 may be necessary. When doing more than one cleaning cycle, there is no need to remove the cleaning pipe and switch the air pump off. Only after the final clean can you switch off the air pump, remove the cleaning pipe and run the EazyPod as normal.



## TROUBLE SHOOTING

<b>PROBLEM</b>	<b>SOLUTION</b>
My K1 Micro stays on the surface of the water and will not sink	The K1 Micro when brand new is buoyant and will want to float on the surface of the water. This is perfectly normal. As soon as fish have been added to the pond it takes the K1 Micro approximately 24 to 48 hours to absorb the water and become semi-buoyant in the EazyPod.
The K1 Micro doesn't move well during the cleaning cycle	The air pump is either not powerful enough or there isn't enough water in the EazyPod. Check all air fittings and line for leaks. Make sure you haven't inadvertently added more K1 Micro than the 18 Litres.
The pond gets dirty after cleaning	Check that you turned your circulating pump off, so that the dirt in the K1 Micro hasn't returned to the pond. Please ensure that the EazyPod has gone through a minimum of 2 to 3 cleaning cycles.
Too much maintenance, poor clarity, or EazyPod overflowing	Make sure that you haven't exceeded the maximum flow rate. Please ensure that the EazyPod has gone through a minimum of 2 to 3 cleaning cycles.



# eazypod™

## WARRANTY

This product is guaranteed against defects in material and workmanship for 2 years from the date of purchase, under normal usage. The guarantee DOES NOT APPLY in case of improper use, negligence, lack of maintenance or accidental damage to the EazyPod. If the EazyPod fails due to a manufacturing fault within this period it will be either repaired or replaced free of charge. Liability is limited to replacement of the faulty product only; no other costs will be reimbursed. This guarantee is not transferable and does not affect your statutory rights. This guarantee does not confer any rights other than those expressly set out above.

**Do not attempt to tamper with the EazyPod components, other than as directed in this instruction manual, as doing so will invalidate the warranty.**

The manufacturer or supplier shall not be responsible, or held liable for any damages caused by defective components or materials of this product; or for loss incurred by interruption of service; or any consequential/incidental damages and expenses arising from the production, sale use or misuse of this product or any other consequential loss.

Any warranty claim must be accompanied by a valid, dated proof of purchase.

Evolution Aqua and its dealers shall not be held liable for any loss of fish, plants or any other livestock as a result of any failure or defect of this product.

The installation and use of your product outside of our recommendations as printed in this manual may also void the warranty.

**Evolution Aqua reserve the right to change this product specification without prior notice.**

All products designed to ISO 9001 and manufactured to ISO 9000  
Patent Information: GB2.293333B; WO/00 61258; PCT/GB01/05533; PCT/GB01/05549; 0750591;  
0575314; 5,543,039; 5,458,779; 6126829; 689246; 2119893; 3183406

TEL: 01942 216554 FAX: 01942 418 489

WARRANTIES - EVOLUTION AQUA - KELLET CLOSE - WIGAN - LANCASHIRE - WN5 0LP - TEL: 01942 216554

# WARRANTY CARD

Or register online at  
[www.evolutionaqua.com](http://www.evolutionaqua.com)

EVOLUTION  
**AQUA**  
INNOVATION IN WATER

Your Name: \_\_\_\_\_

Customer Address: \_\_\_\_\_

Postcode: \_\_\_\_\_

Country: \_\_\_\_\_

Tel: \_\_\_\_\_

Mobile: \_\_\_\_\_

Email \_\_\_\_\_

Purchased From: \_\_\_\_\_

Address: \_\_\_\_\_

Postcode: \_\_\_\_\_

Country: \_\_\_\_\_

Tel: \_\_\_\_\_

Web: \_\_\_\_\_

Date of Purchase:        /        /

Model: \_\_\_\_\_

Serial Number: \_\_\_\_\_

I have read and accept the terms and conditions listed in the warranty card, and understand the obligations of the Customer under this warranty.

Signature: \_\_\_\_\_ Date:        /        /

Returning this registration form will amount to your consent for us to disclose your details and other personal information to other companies within the Evolution Aqua group including any subsidiary company or subcontractor of Evolution Aqua for the purposes of performing our obligations under the warranty. Evolution Aqua Ltd. may contact you in the future with product updates or offers, which may be of interest to you. If you do not wish to receive this information please tick this box.

TEL: 01942 216554 FAX: 01942 418 489

WARRANTIES - EVOLUTION AQUA - KELLET CLOSE - WIGAN - LANCASHIRE - WN5 0LP - TEL: 01942 216554



# WARRANTY

This product is guaranteed against defects in material and workmanship for 2 years from the date of purchase, under normal usage. The guarantee DOES NOT APPLY in case of improper use, negligence, lack of maintenance or accidental damage to the EazyPod. If the EazyPod fails due to a manufacturing fault within this period it will be either repaired or replaced free of charge. Liability is limited to replacement of the faulty product only; no other costs will be reimbursed. This guarantee is not transferable and does not affect your statutory rights. This guarantee does not confer any rights other than those expressly set out above.

**Do not attempt to tamper with the EazyPod components, other than as directed in this instruction manual, as doing so will invalidate the warranty.**

The manufacturer or supplier shall not be responsible, or held liable for any damages caused by defective components or materials of this product; or for loss incurred by interruption of service; or any consequential/incidental damages and expenses arising from the production, sale use or misuse of this product or any other consequential loss.

Any warranty claim must be accompanied by a valid, dated proof of purchase.

Evolution Aqua and its dealers shall not be held liable for any loss of fish, plants or any other livestock as a result of any failure or defect of this product.

The installation and use of your product outside of our recommendations as printed in this manual may also void the warranty.

**Evolution Aqua reserve the right to change this product specification without prior notice.**

All products designed to ISO 9001 and manufactured to ISO 9000  
Patent Information: GB2.293333B; WO/00 61258; PCT/GB01/05533; PCT/GB01/05549; 0750591;  
0575314; 5,543,039; 5,458,779; 6126829; 689246; 2119893; 3183406

## Evolution Aqua Ltd

Evolution House  
Kellet Close  
Wigan  
Lancashire  
United Kingdom  
WN5 0LP

t: +44 (0) 1942 216554  
f: +44 (0) 1942 418489  
e: [info@evolutionaqua.com](mailto:info@evolutionaqua.com)  
w: [www.evolutionaqua.com](http://www.evolutionaqua.com)

EVOLUTION  
AQUA  
INNOVATION IN WATER

## QUALITY ASSURANCE CHECK

PARTS	QUANTITY	QTY PICKED
EAZYPOD	1	
K1 MICRO	18 LITRES	
4" TO 3" EAZYCONNECTOR	1	
1½" HOSETAIL	2	
MANUAL	1	

## eazypod<sup>air</sup> MODELS ALSO INCLUDE:

PARTS	QUANTITY	QTY PICKED
AIRPUMP 70	1	
10m ROLL OF SILICONE AIRLINE	1	
4 PORT CHROME MANIFOLD	1	
AIRSTONE	2	
RUBBER ELBOW	2	
2cm SILICONE TUBING	2	
10cm AIRLINE (12mm)	2	
12mm TEE	1	
80cm AIRLINE (12mm)	1	

EAZYPOD AIR CHECKLIST	CHECKED BY
Is AirPump 70 in the box?	
Is there a sticker on the box to say it contains the Eazypod Air?	

**Packed By:**

---

**Date:**

---